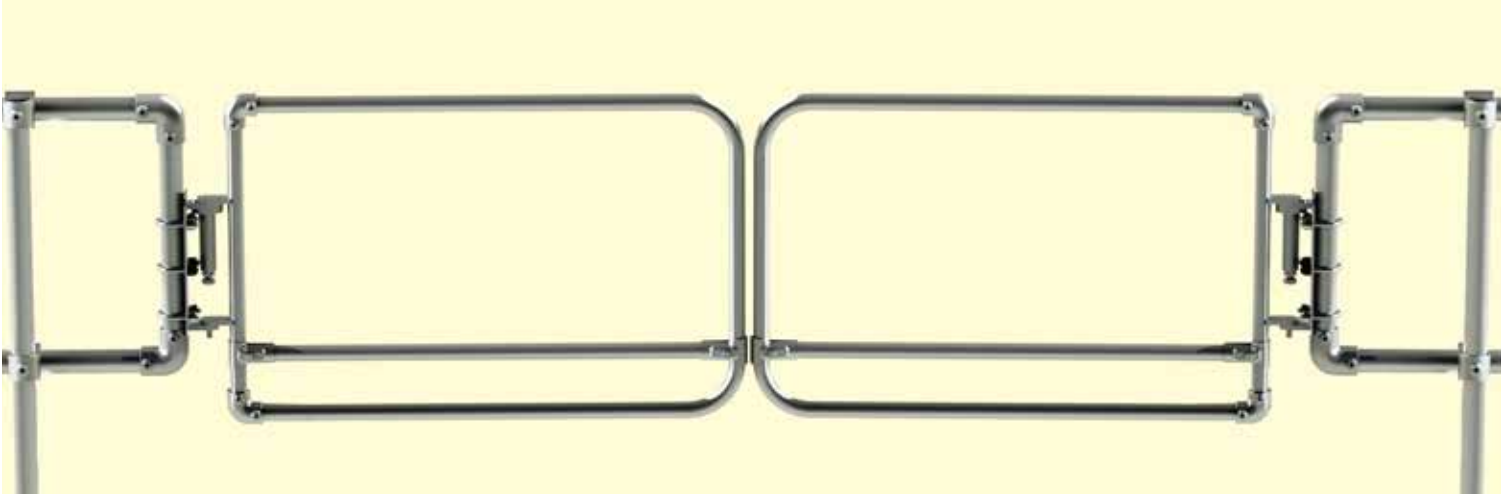




RELIABLE SAFE ACCESS

# Safety Gate Solutions



- SINGLE, DOUBLE AND PALLET WIDTH GATES
- SIMPLE CONSTRUCTION, EASY TO ASSEMBLE
- PERFORMANCE TESTED FOR TROUBLE FREE OPERATION
- FULLY ADJUSTABLE FOR VARYING WIDTHS

## Single Width Gates

The **KEE GATE** single width self closing gate has been designed to easily fit to new or existing structures wherever a gate is required. The hinge mechanism ensures that the gate will always close behind anyone who goes through it thus maintaining a safe barrier around people where required. The gate is made from galvanised steel and can be cut down to size to fit into the required opening. As can be seen from the examples below a **KEE GATE** can be powder coated if preferred. **KEE GATE** is suitable for a variety of applications, either internal or external.

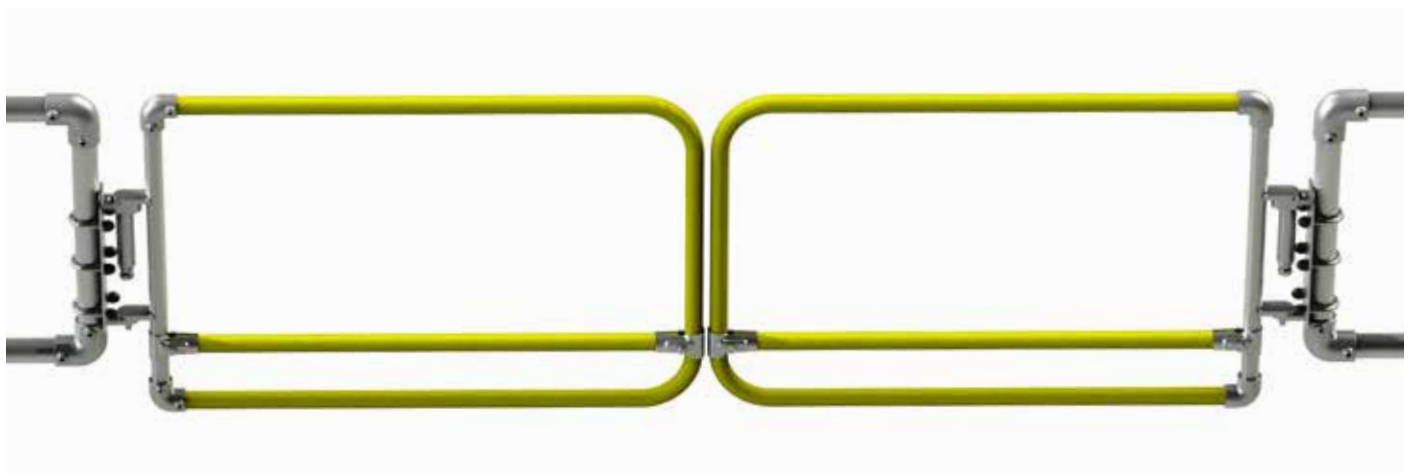


- Maximum width 1m, fully adjustable to smaller apertures allows broad flexibility of use
- Reversible, hinges can be on the left or right hand side of an opening to allow easy installation
- Cycle tested for 50,000 openings for assured durability
- Salt spray tested for corrosion resistance (672 hours) to allow continuous operation, even in corrosive environments
- Compliant with EN 14122 : 2016, OSHA & CSA requirements, CE marked for assured and safe operation

## Double Width Gates

**KEE GATE** now has available a double width gate option for larger openings greater than 1m wide. The maximum width for this option is 1.8m. The double gate scenario is still compliant to EN 14122 : 2016, OSHA and CSA requirements and importantly does not require any locking mechanism to be used by the operator. The gates are both self closing

and will form a compliant barrier when a person has passed through the gate. This is achieved by strengthening the attachment and increasing the number of fixings when compared to the single gate option. The double width gate has undergone the same testing regime as the single gate and is available in the same product options.



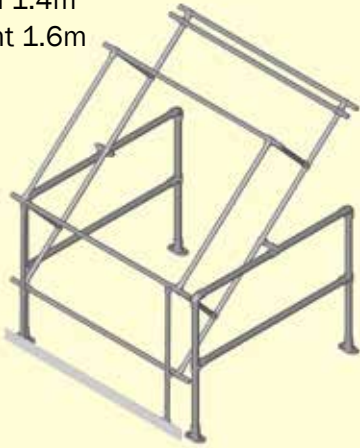
# Pallet Gates

**KEE GATE** now incorporates a range of pallet gates into the portfolio which allow safe working for employees on a mezzanine or raised working surface. The gates are designed to fit seamlessly into a guardrail or barrier and ensure there is continuous

protection in place while goods are being moved either up to or down from the mezzanine. Pallet gates are available in four different configurations to suit the type of operation required.

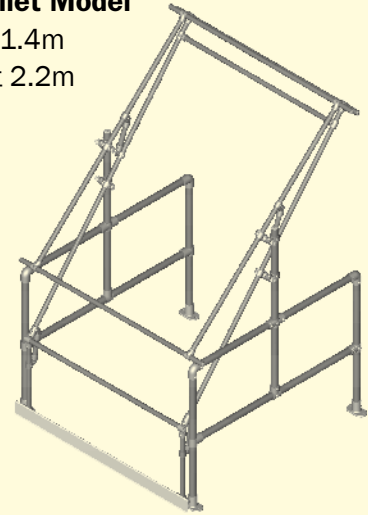
## **TYPE A - Standard Model**

Max pallet width 1.4m  
Max pallet height 1.6m



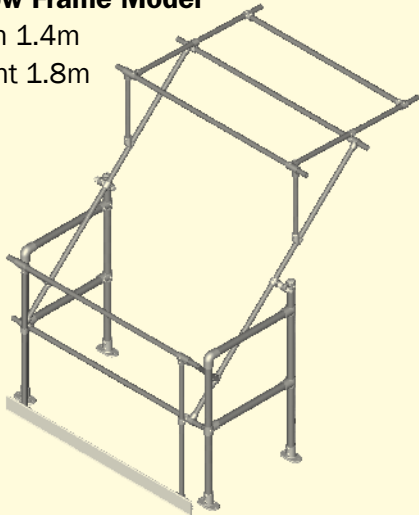
## **TYPE C - Tall Pallet Model**

Max pallet width 1.4m  
Max pallet height 2.2m



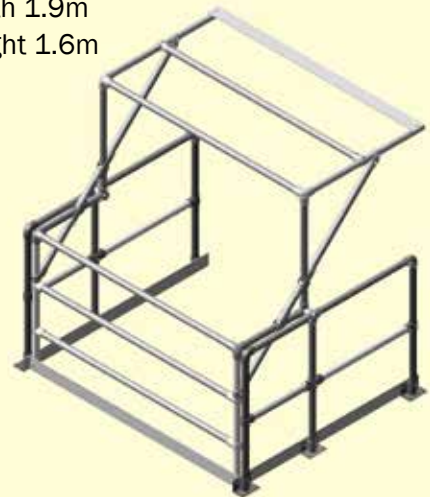
## **TYPE B - Narrow Frame Model**

Max pallet width 1.4m  
Max pallet height 1.8m



## **TYPE D - Extra Wide Model**

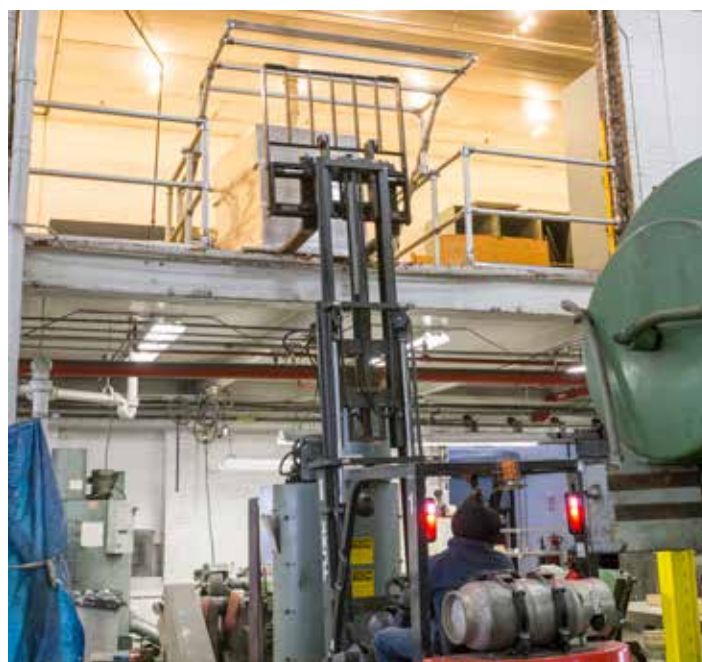
Max pallet width 1.9m  
Max pallet height 1.6m



- Compliant with EN 14122-3 : 2016 and OSHA requirements for assured safe operation
- Available in Galvanised steel or Aluminium dependant on customer requirements
- Built using KEE KLAMP and KEE LITE fittings, TÜV approved components for quality assurance
- No welded parts so any damage can be easily repaired, keeping the gate operational
- Cycle tested for 50,000 openings for assured durability
- Salt spray tested for corrosion resistance (672 hours) to allow continuous operation even in corrosive environments
- Minimal number of moving parts for lower maintenance
- Will be supplied part assembled to facilitate on site installation



# Safety Gate Solutions



Product Code	Description	Weight
<b>Single Width Gates</b>		
SGEU600GV	Single EU Gate - Galvanised	15.5Kg
SGEU600PC	Single EU Gate - Powder Coated	15.5Kg
<b>Double Width Gates</b>		
SGEUDP2GV	Double Gate - Pair of Gates - Galvanised	31Kg
SGEUDP2PC	Double Gate - Pair of Gates - Powder Coated	31Kg
<b>Pallet Gates</b>		
SGPGTYAGV	Pallet Gate Type A - Galvanised	91Kg
SGPGTYAPC	Pallet Gate Type A - Powder Coated	91Kg
SGPGTYBGV	Pallet Gate Type B - Galvanised	85Kg
SGPGTYBPC	Pallet Gate Type B - Powder Coated	85Kg
SGPGTYCGV	Pallet Gate Type C - Galvanised	125Kg
SGPGTYCPC	Pallet Gate Type C - Powder Coated	125Kg
SGPGTYDAL	Pallet Gate Type D - Aluminium	77Kg



Kee Safety Limited  
 Cradley Business Park  
 Overend Road  
 Cradley Heath  
 B64 7DW, UK

Tel: +44 (0) 1384 632 188  
 Fax: +44 (0) 1384 632 192

Email: [sales@keesafety.com](mailto:sales@keesafety.com)  
 Website: [www.keesafety.co.uk](http://www.keesafety.co.uk)