

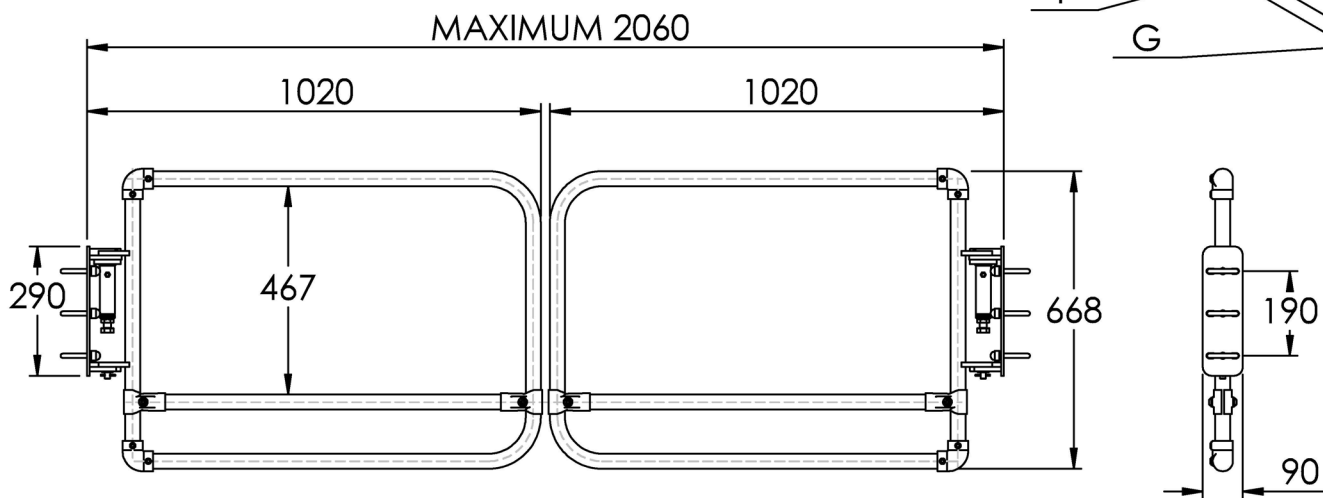
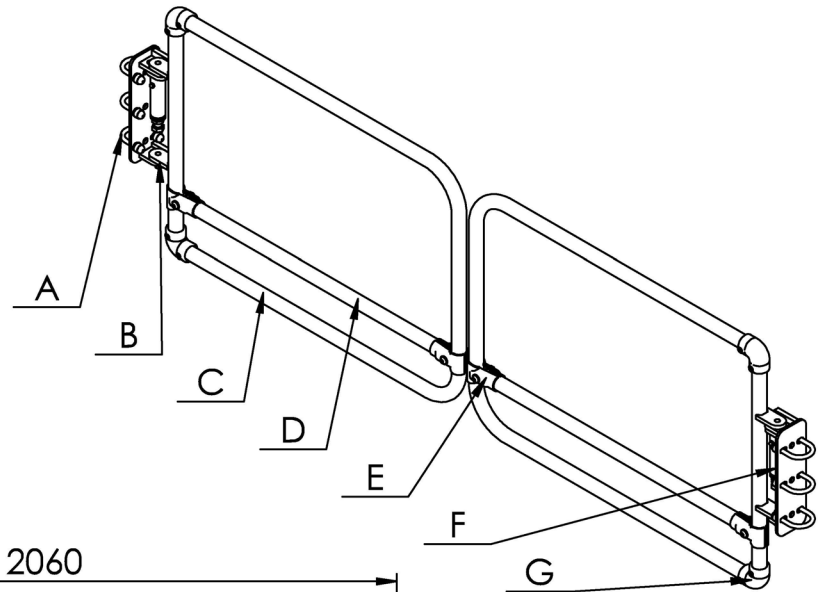
Technical Datasheet No: 0023

Kee Gate®

EUROPEAN POWDER GALVANISED GATE ASSEMBLY

Part No: SGEUDP2GV

Short Part No: SGEUDP2GV



ITEM NO.	PART NO.	DESCRIPTION	QTY.
A	SGEUFXPK2	SGEUFXPK2 - DOUBLE SAFETY GATE EUROPEAN FIXING PACK 1	2
B	SGK-SGDBPEU	SAFETY GATE KIT DOUBLE GATE RH	1
C	SGAS616GV	SGAS616GV DOUBLE SAFETY GATE D-BEND	2
D	SGEUMDDGV	CUT TUBE $\phi 33,7 \times 3,2$ EN10255 @ 818,0 GALVANISED	2
E	MIDDLE TUBE FIXING PACK	H.D.G. SPLIT CLAMP TYPE 2101866 C/W SS BUTTON HEAD SCREWS, COUPLER NUT & TOOTHED WASHERS	4
F	SGK-SGDBREU	SAFETY GATE KIT DOUBLE GATE LH	1
G	001560010	15-6 90° ELBOW	4

APPLICATION

Spring Loaded, self-closing double safety gate. Manufactured from steel to EN 10255. 33.7mm diameter tube x 3.2mm wall thickness to meet requirements of EN 13374 & EN 14122:2016. Complete with fixing pack.

COMPONENT SPECIFICATION

Material	Mild Steel, Malleable Cast Iron
Finish	Galvanised to BS EN ISO 1461 ASTM A53
Weight	31kg

Issue Date: 25/07/2017

Issue No: 2

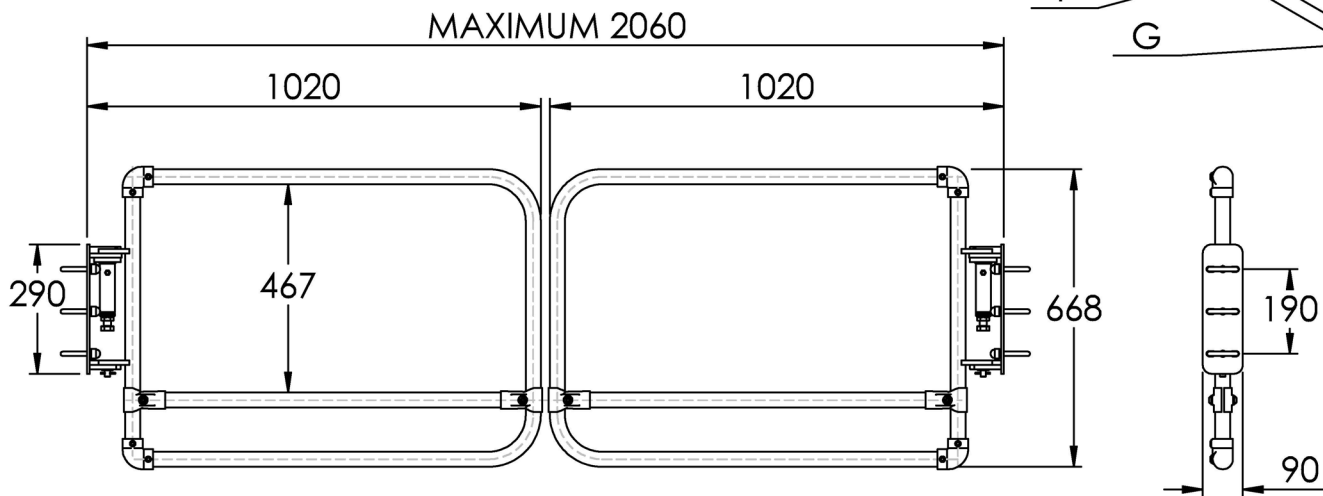
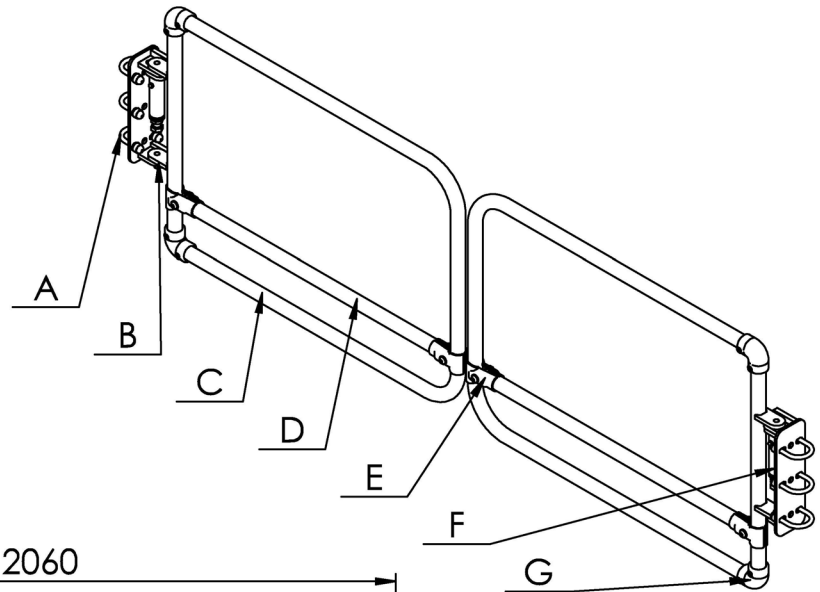
Technical Datasheet No: 0024

Kee Gate®

EUROPEAN POWDER COATED DOUBLE GATE ASSEMBLY

Part No: SGEUDP2PC

Short Part No: SGEUDP2PC



ITEM NO.	PART NO.	DESCRIPTION	QTY.
A	SGEUFXPK2	SGEUFXPK2 - DOUBLE SAFETY GATE EUROPEAN FIXING PACK 1	2
B	SGK-SGDBPEU	SAFETY GATE KIT DOUBLE GATE RH	1
C	SGAS616PC	SGAS616PC DOUBLE SAFETY GATE D-BEND	2
D	SGEUMDDPC	CUT TUBE $\varnothing 33,7 \times 3,2$ EN10255 @ 818,0 POWDER COATED	2
E	MIDDLE TUBE FIXING PACK	H.D.G. SPLIT CLAMP TYPE 2101866 C/W SS BUTTON HEAD SCREWS, COUPLER NUT & TOOTHED WASHERS	4
F	SGK-SGDBREU	SAFETY GATE KIT DOUBLE GATE LH	1
G	001560010	15-6 90° ELBOW	4

APPLICATION

Spring Loaded, self-closing double safety gate. Manufactured from steel to EN 10255. 33.7mm diameter tube x 3.2mm wall thickness to meet requirements of EN 13374 & EN 14122:2016. Complete with fixing pack.

COMPONENT SPECIFICATION

Material	Mild Steel, Malleable Cast Iron
Finish	Powder Coated to EN 13438, Galvanised to BS EN ISO 1461 ASTM A53
Weight	31kg

Issue Date: 25/07/2017

Issue No: 2

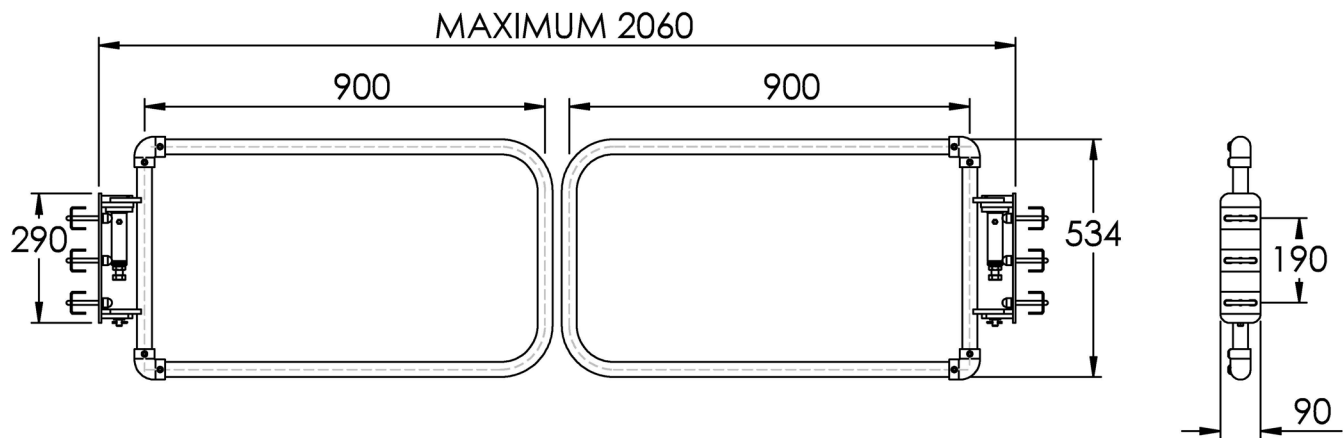
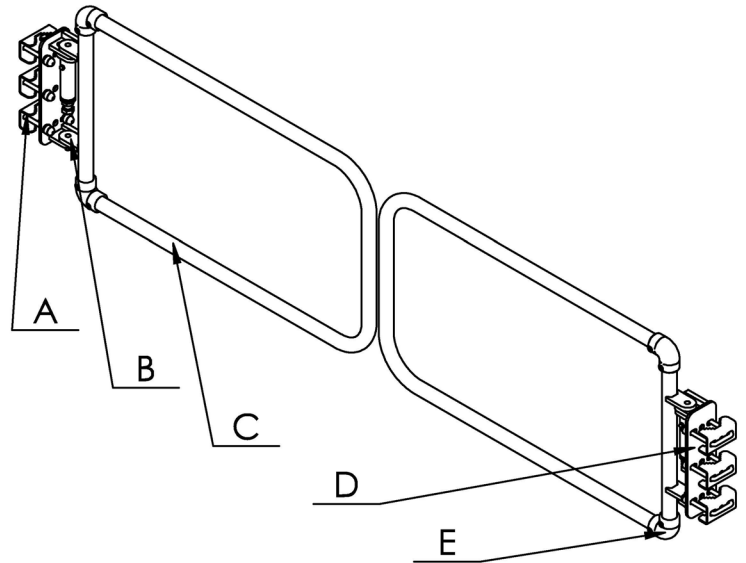
Technical Datasheet No: 0025

Kee Gate®

NORTH AMERICA GALVANISED DOUBLE GATE ASSEMBLY

Part No: SGDBLNAGV

Short Part No: SGDBLNAGV



ITEM NO.	PART NO.	DESCRIPTION	QTY.
A	SGNAFXPK2	DOUBLE SAFETY GATE NORTH AMERICAN FIXING PACK 1	2
B	SGK-SGBPNA	SAFETY GATE KIT FOR SGDBPNA RH	1
C	SGAS016GV	DOUBLE GATE "D" - BEND ASSEMBLY GALVANISED	2
D	SGK-SGBRNA	SAFETY GATE KIT FOR SGDBPNA LH	1
E	001560010	15-6 90° ELBOW	4

APPLICATION

Spring Loaded, self-closing safety gate. Manufactured from steel to EN 10255. 33.7mm diameter tube x 3.2mm wall thickness to meet requirements of EN 13374 & EN 14122. Specify SGDBPEUGV to include European fixing pack or SGDBPNAGV for NA fixing pack.

COMPONENT SPECIFICATION

Material	Mild Steel, Malleable Cast Iron
Finish	Galvanised to BS EN ISO 1461 ASTM A53
Weight	25kg

Issue Date: 25/07/2017

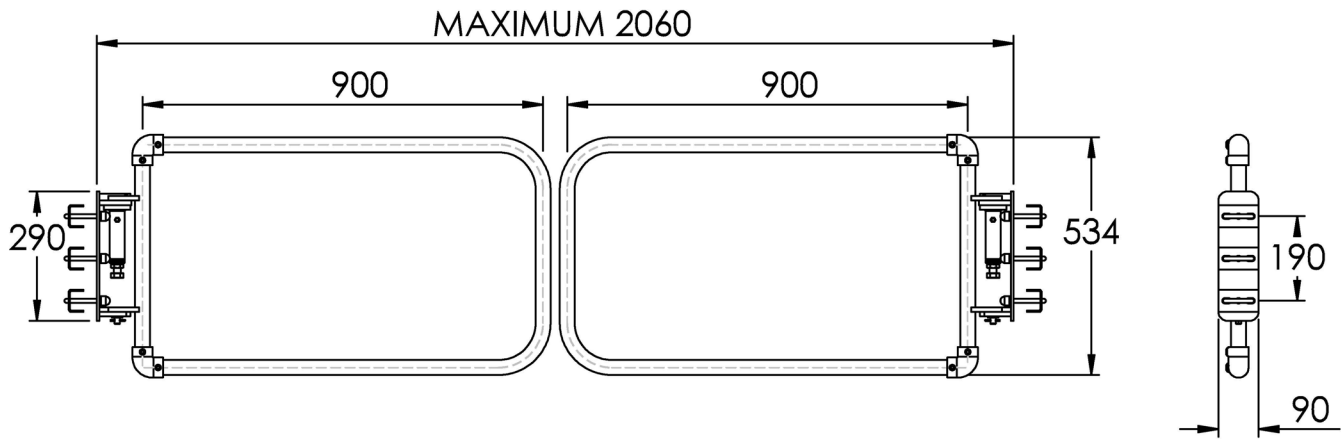
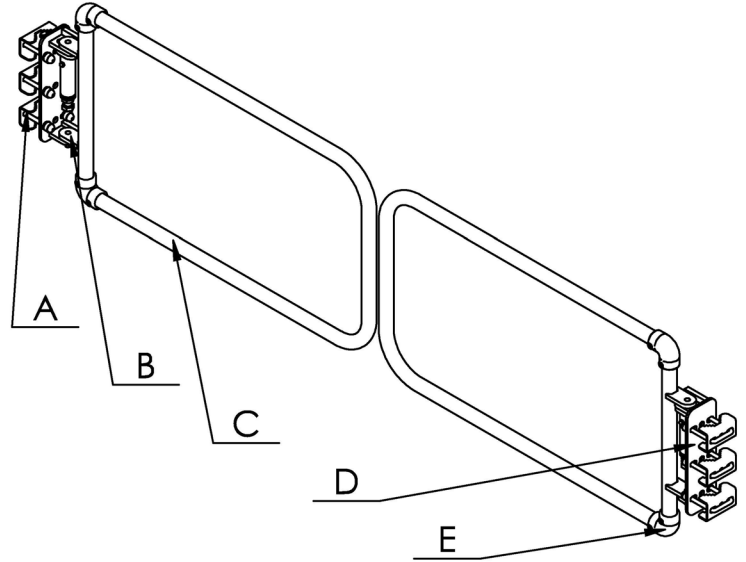
Issue No: 2

Technical Datasheet No: 0026

NORTH AMERICA POWDER COATED DOUBLE GATE ASSEMBLY

Part No: SGDBLNAPC

Short Part No: SGDBLNAPC



ITEM NO.	PART NO.	DESCRIPTION	QTY.
A	SGNAFXPK2	DOUBLE SAFETY GATE NORTH AMERICAN FIXING PACK 1	2
B	SGK-SGBPNA	SAFETY GATE KIT FOR SGDBPNA RH	1
C	SGAS009PC	DOUBLE GATE "D" - BEND ASSEMBLY POWDER COATED	2
D	SGK-SGBRNA	SAFETY GATE KIT FOR SGDBPNA LH	1
E	001560010	15-6 90° ELBOW	4

APPLICATION

Spring Loaded, self-closing safety gate. Manufactured from steel to EN 10255. 33.7mm diameter tube x 3.2mm wall thickness to meet requirements of EN 13374 & EN 14122. Specify SGDBPEUGV to include European fixing pack or SGDBPNAGV for NA fixing pack.

COMPONENT SPECIFICATION

Material	Mild Steel, Malleable Cast Iron
Finish	Powder Coated to EN 13438, Galvanised to BS EN ISO 1461 ASTM A53
Weight	25kg