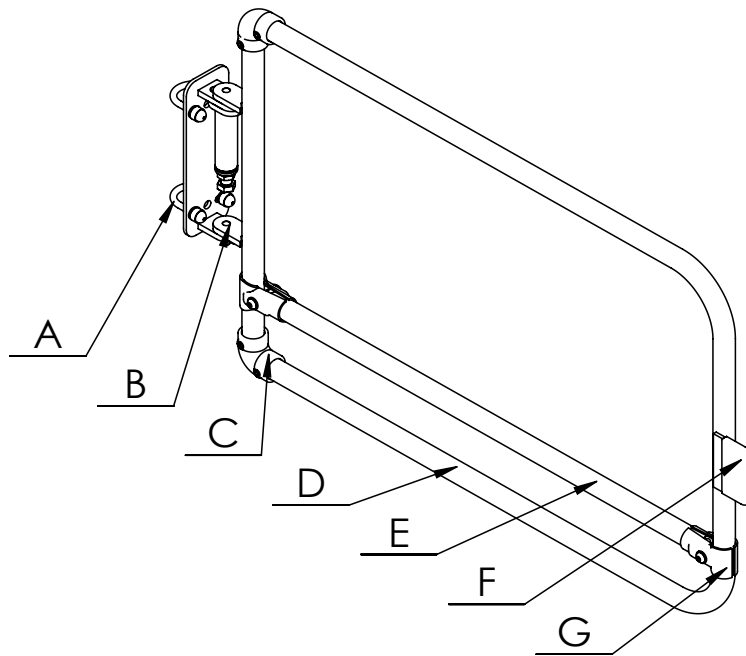


Kee Gate[®]

SAFETY AT THE HIGHEST LEVEL



Single and Double Gates Technical Datasheet Pack



Revision 5

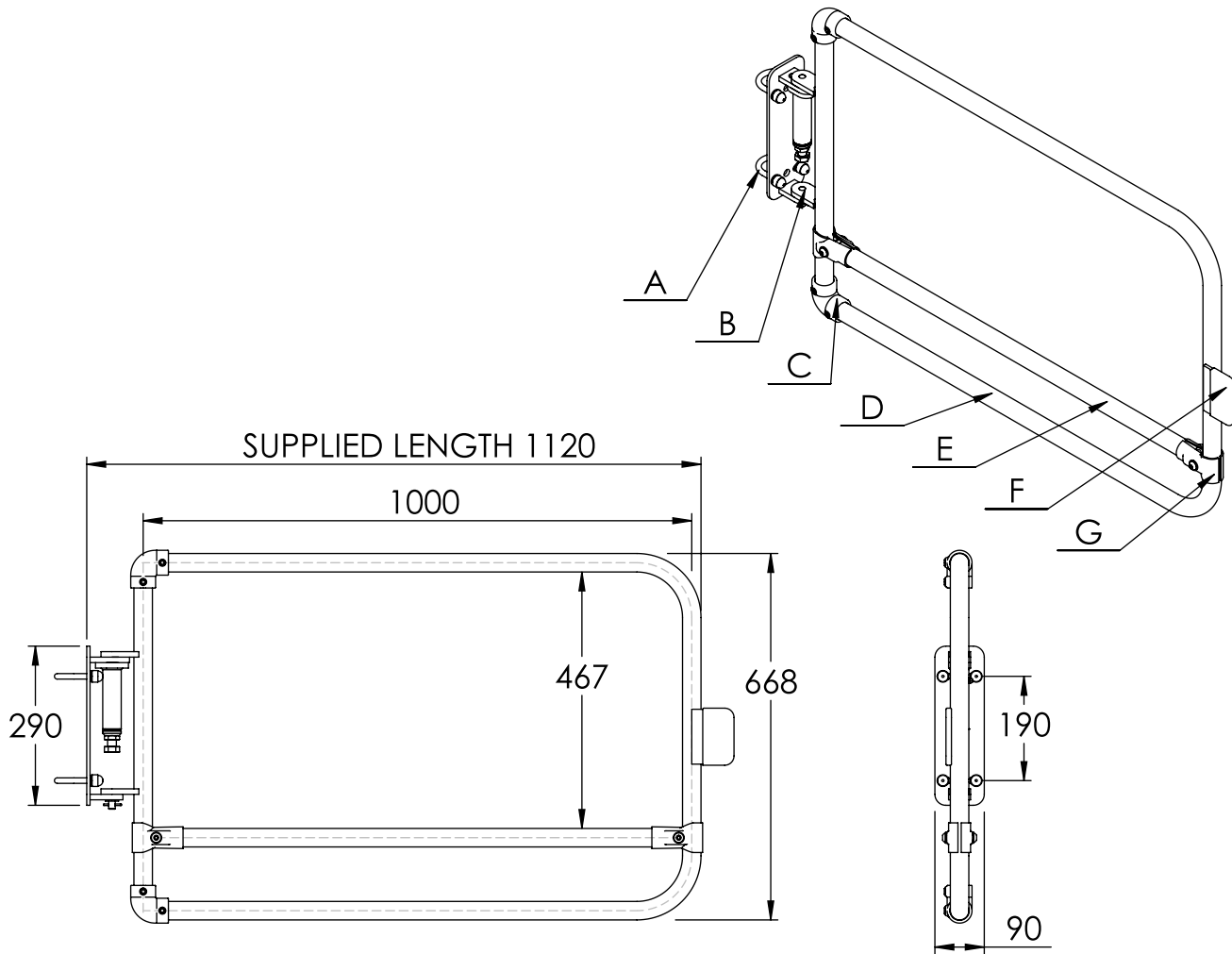
Issued November 2017

Technical Datasheet No: 0001

SGEUGV KEE GATE EUROPEAN GALVANISED ASSEMBLY

Part No: SGEU600GV

Short Part No: SGEUGV2



ITEM NO.	PART NO.	DESCRIPTION	QTY.
A	SGEUFXPK1	SAFETY GATE EUROPEAN FIXING PACK	1
B	SGK-SGEU600	SAFETY GATE KIT FOR SGEU600	1
C	001560010	15-6 90° ELBOW	2
D	SGAS601GV	EN 14122 PT 3 'D' BEND WELDED ASSEMBLY - GALVANISED	1
E	SGEUMIDGV	CUT TUBE Ø34 x EN10255 @ 918	1
F	SGSD002PL	SLAM PLATE COVER	1
G	MIDDLE TUBE FIXING PACK	H.D.G. SPLIT CLAMP TYPE 2101866 C/W SS BUTTON HEAD SCREWS, COUPLER NUT & TOOTHED WASHERS	2

APPLICATION

KEE GATE has been designed to be fully adjustable and can accommodate openings up to 1m (USA 18" - 48") for single gate and 1.8m (70.86") for the double gate. Connecting the "KEE GATE" to the supporting structure/post/ stringer is simple via using the U-bolt which can provide connection around any flat, square or tubular stringer from 33.7 - 48.3mm (1" - 1.5").

COMPONENT SPECIFICATION

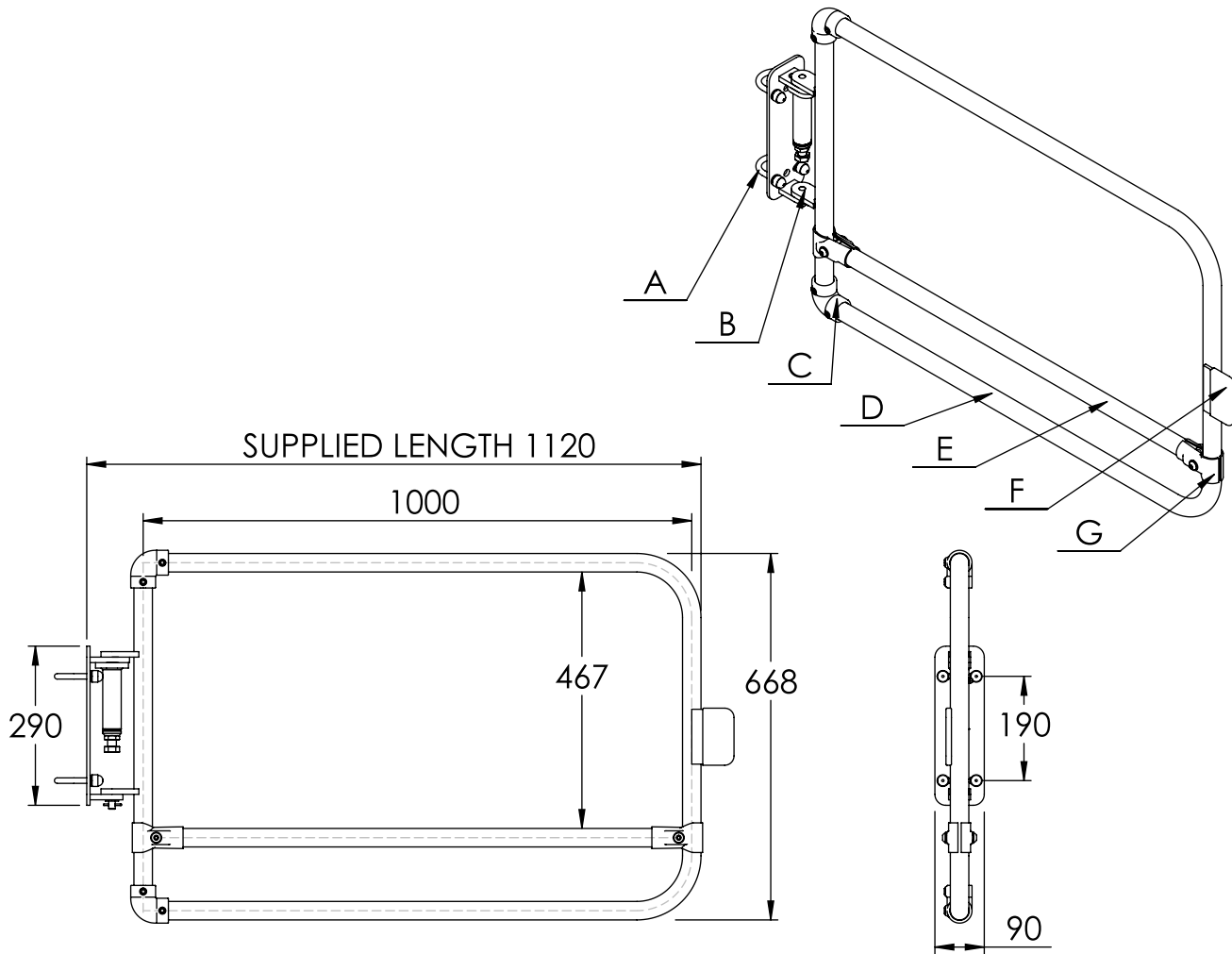
Material	Mild Steel, Malleable Cast Iron, Rubber
Finish	Galvanised steel to BS EN ISO 1461, Natural
Weight	14kg

Technical Datasheet No: 0002

SGEUPC KEE GATE EUROPEAN POWDER COATED ASSEMBLY

Part No: SGEU600PC

Short Part No: SGEUPC2



ITEM NO.	PART NO.	DESCRIPTION	QTY.
A	SGEUFXP1	SAFETY GATE EUREPEAN FIXING PACK	1
B	SGK-SGEU600	SAFETY GATE KIT FOR SGEU600	1
C	001560010	15-6 90° ELBOW	2
D	SGAS601PC	EN 14122 PT 3 'D' BEND WELDED ASSEMBLY - POWDER COATED	1
E	SGEUMIDPC	CUT TUBE Ø34 x EN10255 @ 918	1
F	SGSD002PL	SLAM PLATE COVER	1
G	MIDDLE TUBE FIXING PACK	H.D.G. SPLIT CLAMP TYPE 2101866 C/W SS BUTTON HEAD SCREWS, COUPLER NUT & TOOTHED WASHERS	2

APPLICATION

KEE GATE has been designed to be fully adjustable and can accommodate openings up to 1m (USA 18" - 48") for single gate and 1.8m (70.86") for the double gate. Connecting the "KEE GATE" to the supporting structure/post/ stringer is simple via using the U-bolt which can provide connection around any flat, square or tubular stringer from 33.7 - 48.3mm (1" - 1.5").

COMPONENT SPECIFICATION

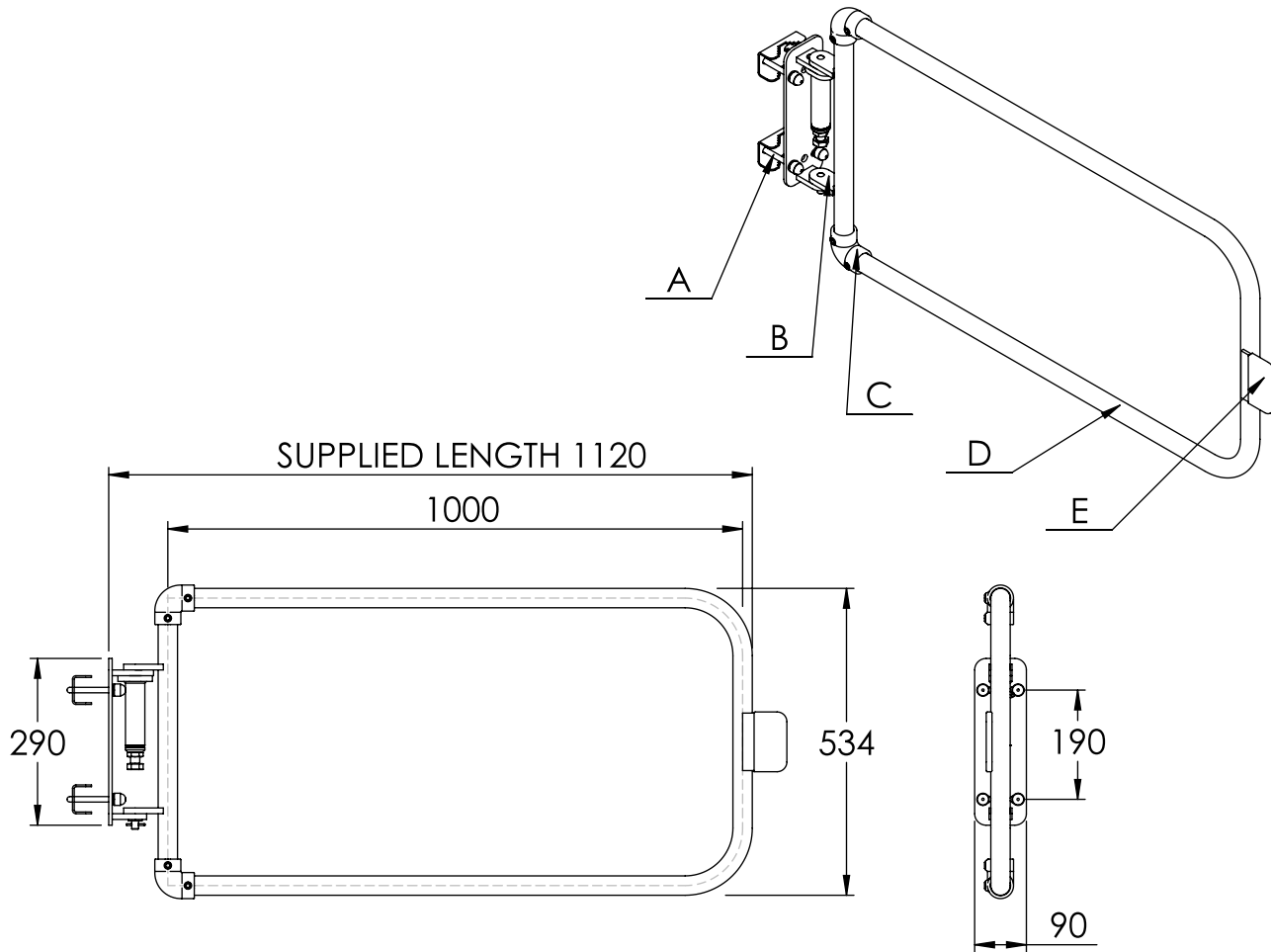
Material	Mild Steel, Malleable Cast Iron, Rubber
Finish	Powder Coated Finish to EN 13438, Galvanised steel to BS EN ISO 1461, Natural
Weight	14kg

Technical Datasheet No: 0003

SGNAGV KEE GATE NORTH AMERICA GALVANISED ASSEMBLY

Part No: SGNA500GV

Short Part No: SGNAGV



ITEM NO.	PART NO.	DESCRIPTION	QTY.
A	SGNAFXPK1	SAFETY GATE NORTH AMERICAN FIXING PACK 1	1
B	SGK-SGNA500	SAFETY GATE KIT SGNA500 KEE GATE NORTH AMERICA ASSEMBLY	1
C	001560010	15-6 90° ELBOW	2
D	SGAS001GV	'D' BEND WELDED ASSEMBLY - GALVANISED	1
E	SGSD002PL	SLAM PLATE COVER	1

APPLICATION

Spring Loaded, self-closing safety gate for North America. Each model can be adjusted on site without by simply cutting tube to the required length. Manufactured from steel to EN 10255. 33.7mm diameter tube x 3.2mm wall thickness. Complete with fixing pack

COMPONENT SPECIFICATION

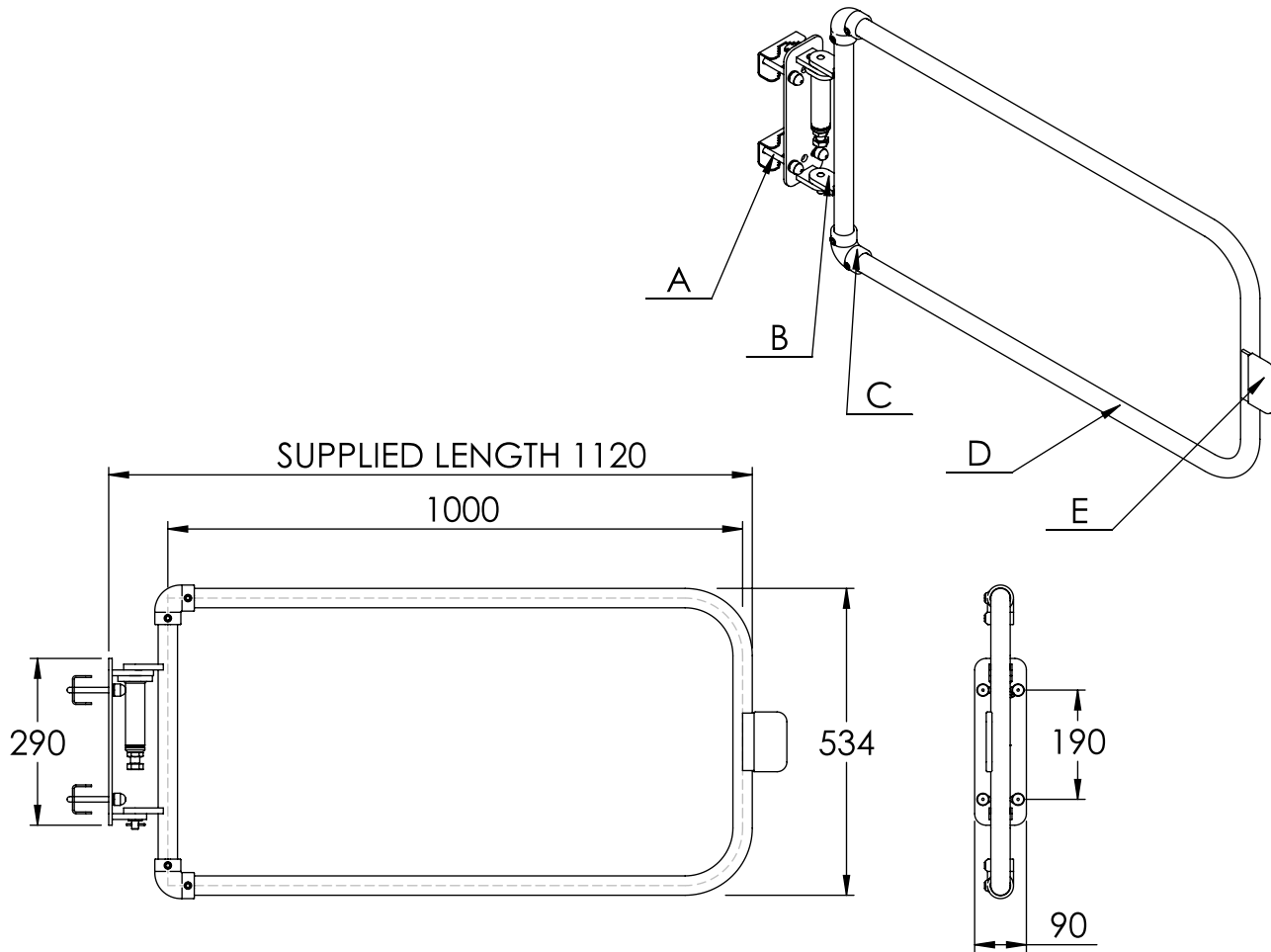
Material	Mild Steel, Malleable Cast Iron, Rubber
Finish	Galvanised to ASTM A53, Natural
Weight	11.30kg

Technical Datasheet No: 0004

SGNAPC KEE GATE NORTH AMERICA POWDER COATED ASSEMBLY

Part No: SGNA500PC

Short Part No: SGNAPC



ITEM NO.	PART NO.	DESCRIPTION	QTY.
A	SGNAFXPK1	SAFETY GATE NORTH AMERICAN FIXING PACK 1	1
B	SGK-SGNA500	SAFETY GATE KIT SGNA500 KEE GATE NORTH AMERICA ASSEMBLY	1
C	001560010	15-6 90° ELBOW	2
D	SGAS001PC	'D' BEND WELDED ASSEMBLY - POWDER COATED	1
E	SGSD002PL	SLAM PLATE COVER	1

APPLICATION

Spring Loaded, self-closing safety gate for North America. Each model can be adjusted on site without by simply cutting tube to the required length. Manufactured from steel to EN 10255. 33.7mm diameter tube x 3.2mm wall thickness. Complete with fixing pack

COMPONENT SPECIFICATION

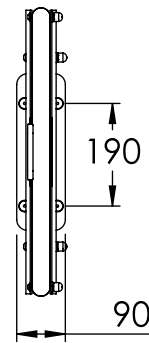
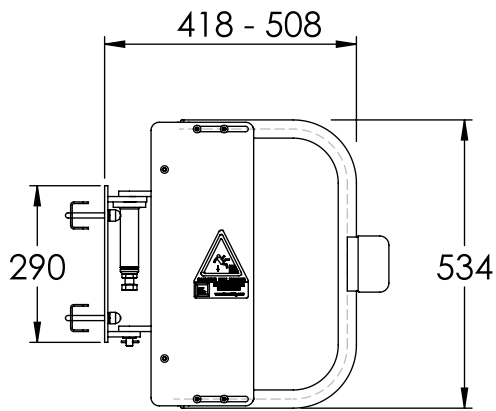
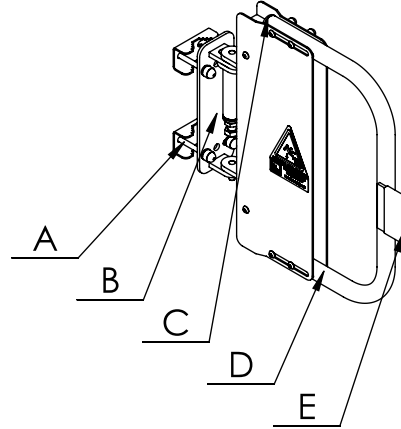
Material	Mild Steel, Malleable Cast Iron, Rubber
Finish	Powder Coated USA - AAMA 2603-2605, Galvanised to ASTM A53, Natural
Weight	11.30kg

Technical Datasheet No: 0005

KEE GATE 18" NORTH AMERICA GALVANISED ASSEMBLY

Part No: SGNA018GV

Short Part No: SG18GV



ITEM NO.	PART NO.	DESCRIPTION	QTY.
A	SGNAFXPK1	SAFETY GATE NORTH AMERICAN FIXING PACK 1	1
B	SGK-SGNA0	SAFETY GATE KIT SGNA0-- NORTH AMERICA	1
C	007760040	77-6 PLASTIC PLUG	2
D	SGAS008GVA	US WELDED D-BEND ASSEMBLY - GALVANISED 18"	1
E	SGSD002PL	SLAM PLATE COVER	1

APPLICATION

Spring Loaded, self-closing safety gate for North America. Each model can be adjusted on site without need for cutting or welding. Complete with fixing pack.

COMPONENT SPECIFICATION

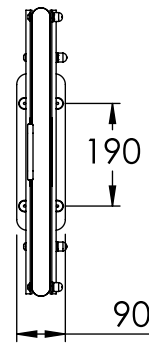
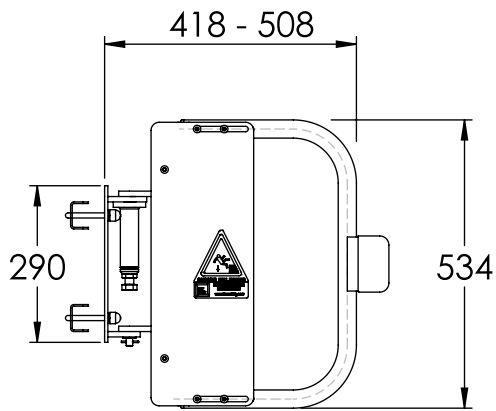
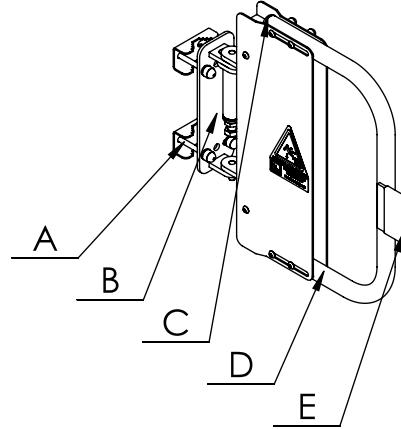
Material	Mild Steel, Malleable Cast Iron, Rubber
Finish	Galvanised steel to ASTM A53, Natural
Weight	16.8kg

Technical Datasheet No: 0006

KEE GATE 18" NORTH AMERICA POWDER COATED ASSEMBLY

Part No: SGNA018PC

Short Part No: SG18PC



ITEM NO.	PART NO.	DESCRIPTION	QTY.
A	SGNAFXPK1	SAFETY GATE NORTH AMERICAN FIXING PACK 1	1
B	SGK-SGNA0	SAFETY GATE KIT SGNA0-- NORTH AMERICA	1
C	007760040	77-6 PLASTIC PLUG	2
D	SGAS005PCA	US WELDED D-BEND ASSEMBLY - POWDER COATED 18"	1
E	SGSD002PL	SLAM PLATE COVER	1

APPLICATION

Spring Loaded, self-closing safety gate for North America. Each model can be adjusted on site without need for cutting or welding. Complete with fixing pack.

COMPONENT SPECIFICATION

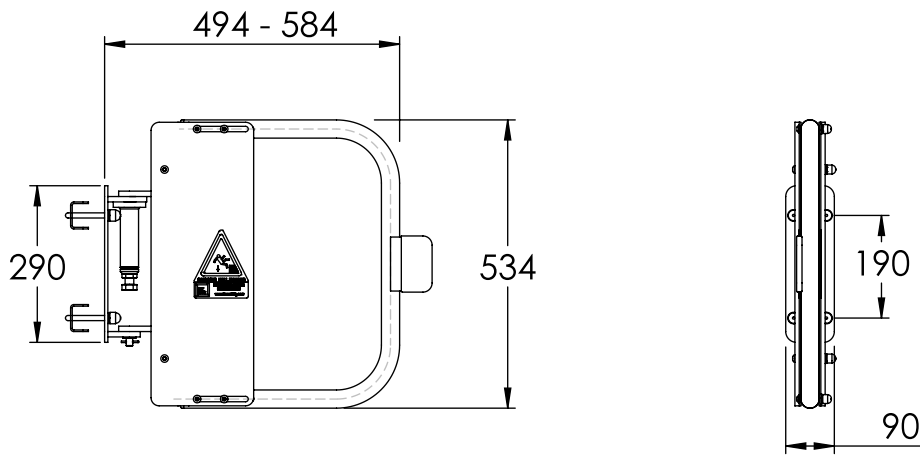
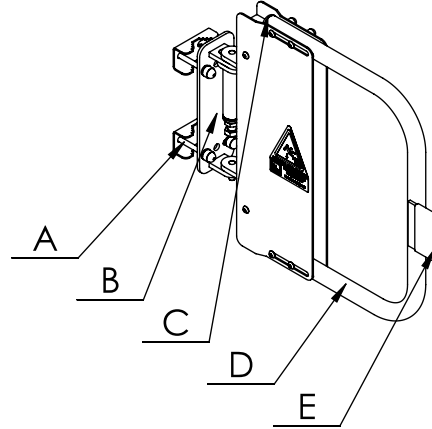
Material	Mild Steel, Malleable Cast Iron, Rubber
Finish	Powder Coated USA - AAMA 2603-2605, Galvanised steel to ASTM A53, Natural
Weight	16.8kg

Technical Datasheet No: 0007

KEE GATE 21" NORTH AMERICA GALVANISED ASSEMBLY

Part No: SGNA021GV

Short Part No: SG21GV



ITEM NO.	PART NO.	DESCRIPTION	QTY.
A	SGNAFXPK1	SAFETY GATE NORTH AMERICAN FIXING PACK 1	1
B	SGK-SGNA0	SAFETY GATE KIT SGNA0-- NORTH AMERICA	1
C	007760040	77-6 PLASTIC PLUG	2
D	SGAS008GVB	US WELDED D-BEND ASSEMBLY - GALVANISED 21"	1
E	SGSD002PL	SLAM PLATE COVER	1

APPLICATION

Spring Loaded, self-closing safety gate for North America. Each model can be adjusted on site without need for cutting or welding. Complete with fixing pack.

COMPONENT SPECIFICATION

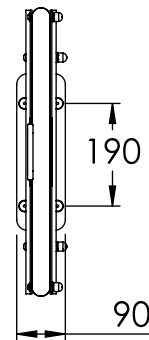
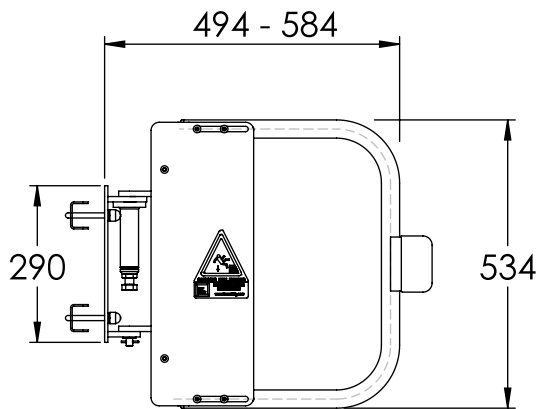
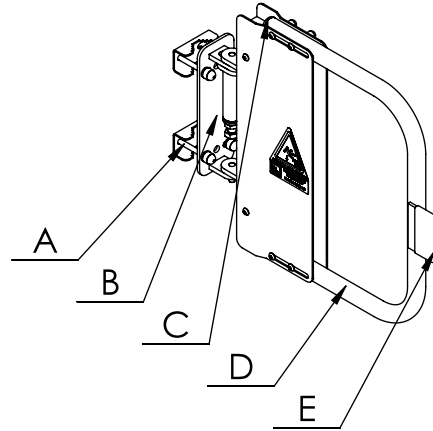
Material	Mild Steel, Malleable Cast Iron, Rubber
Finish	Galvanised steel to ASTM A53, Natural
Weight	17.2kg

Technical Datasheet No: 0008

KEE GATE 21" NORTH AMERICA POWDER COATED ASSEMBLY

Part No: SGNA021PC

Short Part No: SG21PC



ITEM NO.	PART NO.	DESCRIPTION	QTY.
A	SGNAFXPK1	SAFETY GATE NORTH AMERICAN FIXING PACK 1	1
B	SGK-SGNA0	SAFETY GATE KIT SGNA0-- NORTH AMERICA	1
C	007760040	77-6 PLASTIC PLUG	2
D	SGAS005PCB	US WELDED D-BEND ASSEMBLY - POWDER COATED 21"	1
E	SGSD002PL	SLAM PLATE COVER	1

APPLICATION

Spring Loaded, self-closing safety gate for North America. Each model can be adjusted on site without need for cutting or welding. Complete with fixing pack.

COMPONENT SPECIFICATION

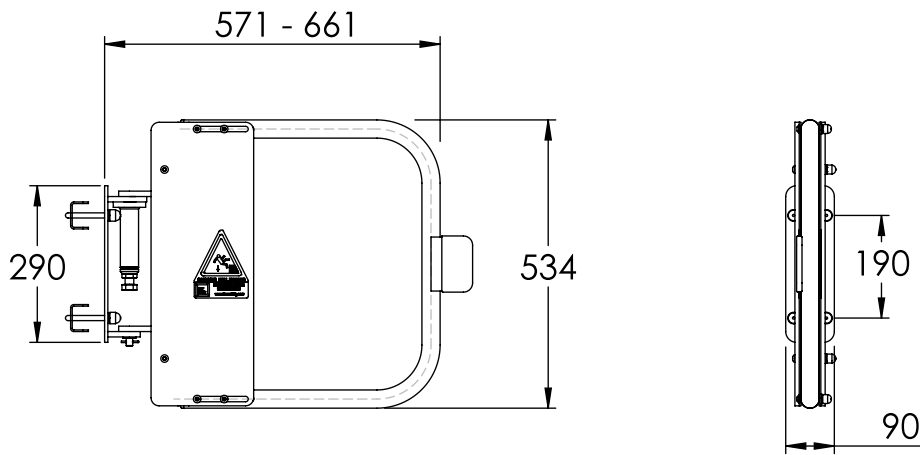
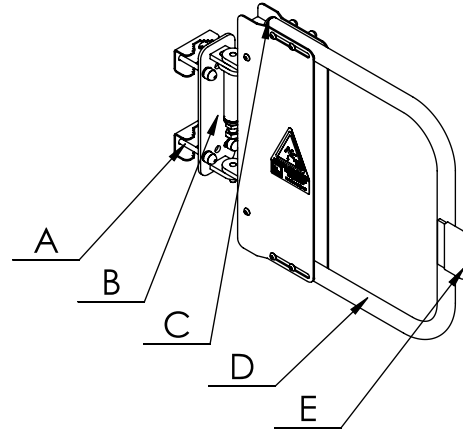
Material	Mild Steel, Malleable Cast Iron, Rubber
Finish	Powder Coated USA - AAMA 2603-2605, Galvanised steel to ASTM A53, Natural
Weight	17.2kg

Technical Datasheet No: 0009

KEE GATE 24" NORTH AMERICA GALVANISED ASSEMBLY

Part No: SGNA024GV

Short Part No: SG24GV



ITEM NO.	PART NO.	DESCRIPTION	QTY.
A	SGNAFXPK1	SAFETY GATE NORTH AMERICAN FIXING PACK 1	1
B	SGK-SGNA0	SAFETY GATE KIT SGNA0-- NORTH AMERICA	1
C	007760040	77-6 PLASTIC PLUG	2
D	SGAS008GVC	US WELDED D-BEND ASSEMBLY - GALVANISED 24"	1
E	SGSD002PL	SLAM PLATE COVER	1

APPLICATION

Spring Loaded, self-closing safety gate for North America. Each model can be adjusted on site without need for cutting or welding. Complete with fixing pack.

COMPONENT SPECIFICATION

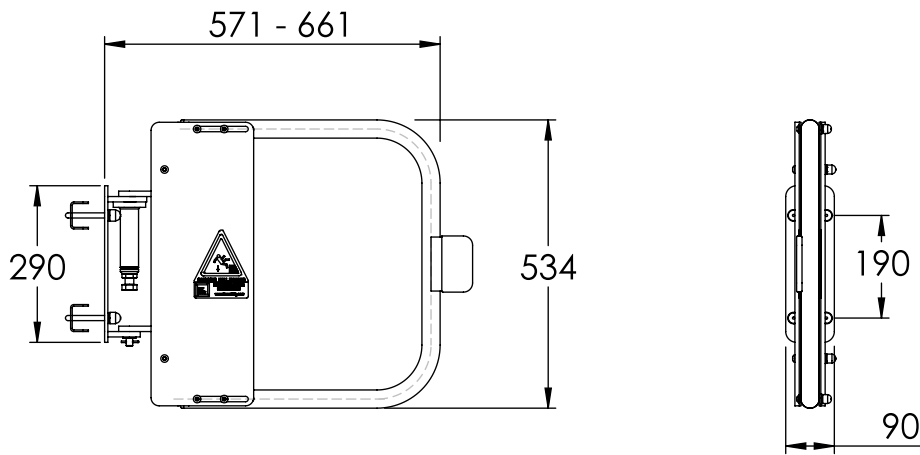
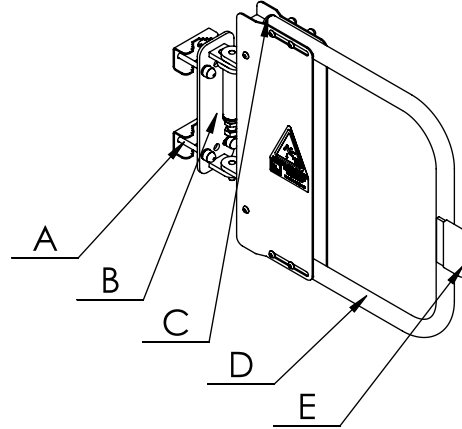
Material	Mild Steel, Malleable Cast Iron, Rubber
Finish	Galvanised steel to ASTM A53, Natural
Weight	17.5kg

Technical Datasheet No: 0010

KEE GATE 24" NORTH AMERICA POWDER COATED ASSEMBLY

Part No: SGNA024PC

Short Part No: SG24PC



ITEM NO.	PART NO.	DESCRIPTION	QTY.
A	SGNAFXPK1	SAFETY GATE NORTH AMERICAN FIXING PACK 1	1
B	SGK-SGNA0	SAFETY GATE KIT SGNA0-- NORTH AMERICA	1
C	007760040	77-6 PLASTIC PLUG	2
D	SGAS005PCC	US WELDED D-BEND ASSEMBLY - POWDER COATED 24"	1
E	SGSD002PL	SLAM PLATE COVER	1

APPLICATION

Spring Loaded, self-closing safety gate for North America. Each model can be adjusted on site without need for cutting or welding. Complete with fixing pack.

COMPONENT SPECIFICATION

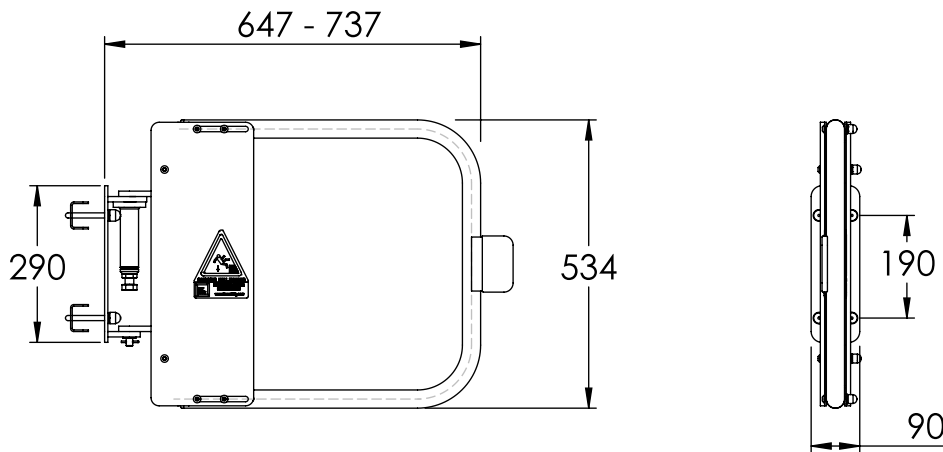
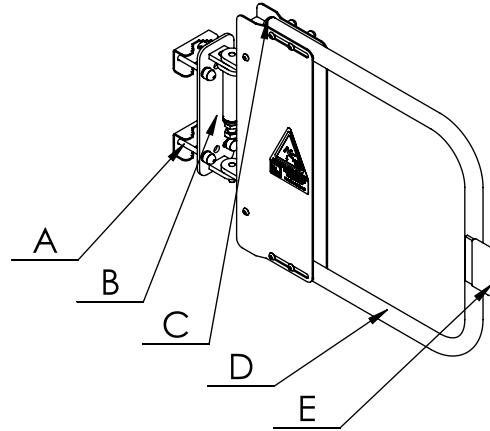
Material	Mild Steel, Malleable Cast Iron, Rubber
Finish	Powder Coated USA - AAMA 2603-2605, Galvanised steel to ASTM A53, Natural
Weight	17.5kg

Technical Datasheet No: 0011

KEE GATE 27" NORTH AMERICA GALVANISED ASSEMBLY

Part No: SGNA027GV

Short Part No: SG27GV



ITEM NO.	PART NO.	DESCRIPTION	QTY.
A	SGNAFXPK1	SAFETY GATE NORTH AMERICAN FIXING PACK 1	1
B	SGK-SGNA0	SAFETY GATE KIT SGNA0-- NORTH AMERICA	1
C	007760040	77-6 PLASTIC PLUG	2
D	SGAS008GVD	US WELDED D-BEND ASSEMBLY - GALVANISED 27"	1
E	SGSD002PL	SLAM PLATE COVER	1

APPLICATION

Spring Loaded, self-closing safety gate for North America. Each model can be adjusted on site without need for cutting or welding. Complete with fixing pack.

COMPONENT SPECIFICATION

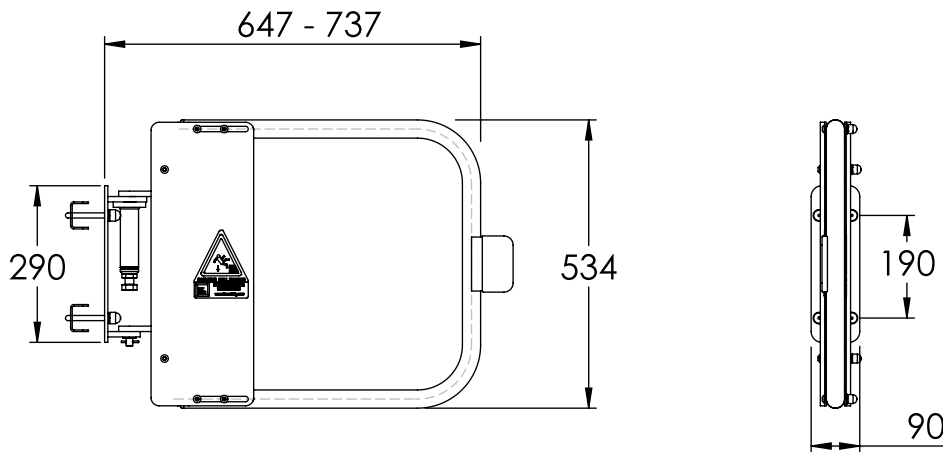
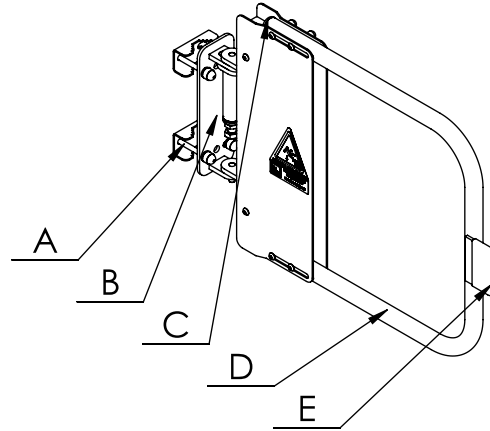
Material	Mild Steel, Malleable Cast Iron, Rubber
Finish	Galvanised steel to ASTM A53, Natural
Weight	17.9kg

Technical Datasheet No: 0012

KEE GATE 27" NORTH AMERICA POWDER COATED ASSEMBLY

Part No: SGNA027PC

Short Part No: SG27PC



ITEM NO.	PART NO.	DESCRIPTION	QTY.
A	SGNAFXPK1	SAFETY GATE NORTH AMERICAN FIXING PACK 1	1
B	SGK-SGNA0	SAFETY GATE KIT SGNA0-- NORTH AMERICA	1
C	007760040	77-6 PLASTIC PLUG	2
D	SGAS005PCD	US WELDED D-BEND ASSEMBLY - POWDER COATED 27"	1
E	SGSD002PL	SLAM PLATE COVER	1

APPLICATION

Spring Loaded, self-closing safety gate for North America. Each model can be adjusted on site without need for cutting or welding. Complete with fixing pack.

COMPONENT SPECIFICATION

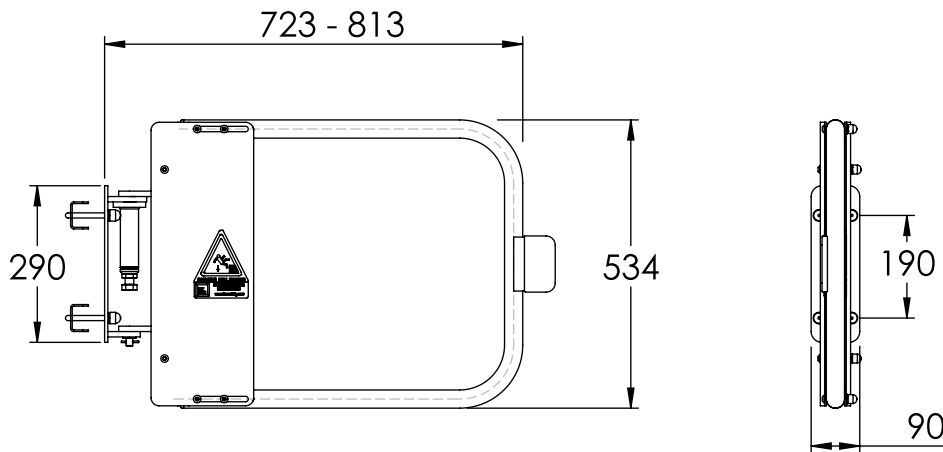
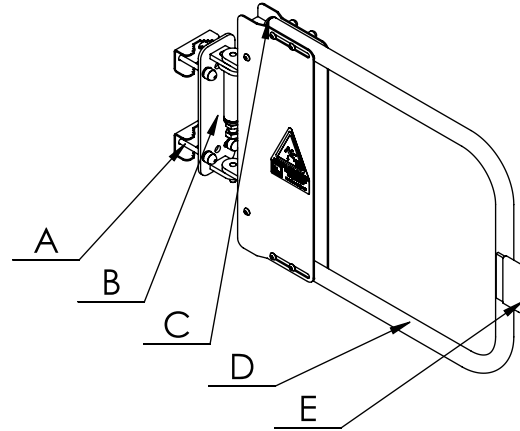
Material	Mild Steel, Malleable Cast Iron, Rubber
Finish	Powder Coated USA - AAMA 2603-2605, Galvanised steel to ASTM A53, Natural
Weight	17.9kg

Technical Datasheet No: 0013

KEE GATE 30" NORTH AMERICA GALVANISED ASSEMBLY

Part No: SGNA030GV

Short Part No: SG30GV



ITEM NO.	PART NO.	DESCRIPTION	QTY.
A	SGNAFXPK1	SAFETY GATE NORTH AMERICAN FIXING PACK 1	1
B	SGK-SGNA0	SAFETY GATE KIT SGNA0-- NORTH AMERICA	1
C	007760040	77-6 PLASTIC PLUG	2
D	SGAS008GVE	US WELDED D-BEND ASSEMBLY - GALVANISED 30"	1
E	SGSD002PL	SLAM PLATE COVER	1

APPLICATION

Spring Loaded, self-closing safety gate for North America. Each model can be adjusted on site without need for cutting or welding. Complete with fixing pack.

COMPONENT SPECIFICATION

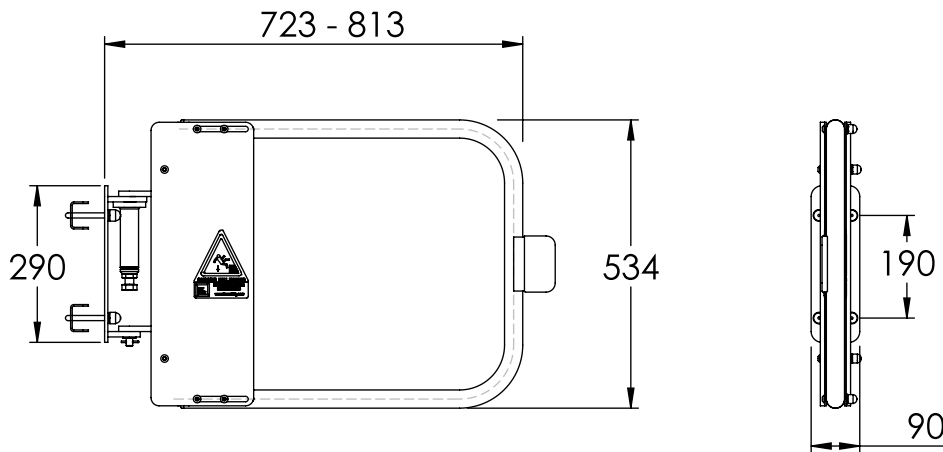
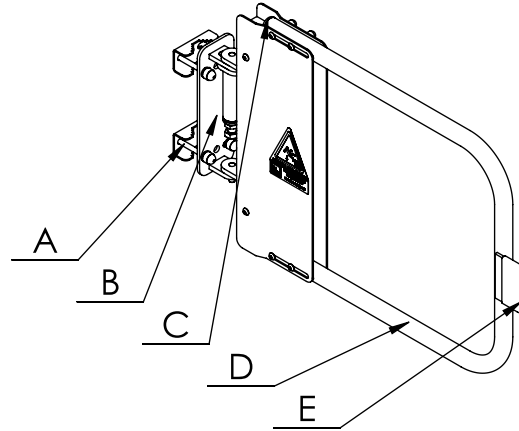
Material	Mild Steel, Malleable Cast Iron, Rubber
Finish	Galvanised steel to ASTM A53, Natural
Weight	18.3kg

Technical Datasheet No: 0014

KEE GATE 30" NORTH AMERICA POWDER COATED ASSEMBLY

Part No: SGNA030PC

Short Part No: SG30PC



ITEM NO.	PART NO.	DESCRIPTION	QTY.
A	SGNAFXPK1	SAFETY GATE NORTH AMERICAN FIXING PACK 1	1
B	SGK-SGNA0	SAFETY GATE KIT SGNA0-- NORTH AMERICA	1
C	007760040	77-6 PLASTIC PLUG	2
D	SGAS005PCE	US WELDED D-BEND ASSEMBLY - POWDER COATED 30"	1
E	SGSD002PL	SLAM PLATE COVER	1

APPLICATION

Spring Loaded, self-closing safety gate for North America. Each model can be adjusted on site without need for cutting or welding. Complete with fixing pack.

COMPONENT SPECIFICATION

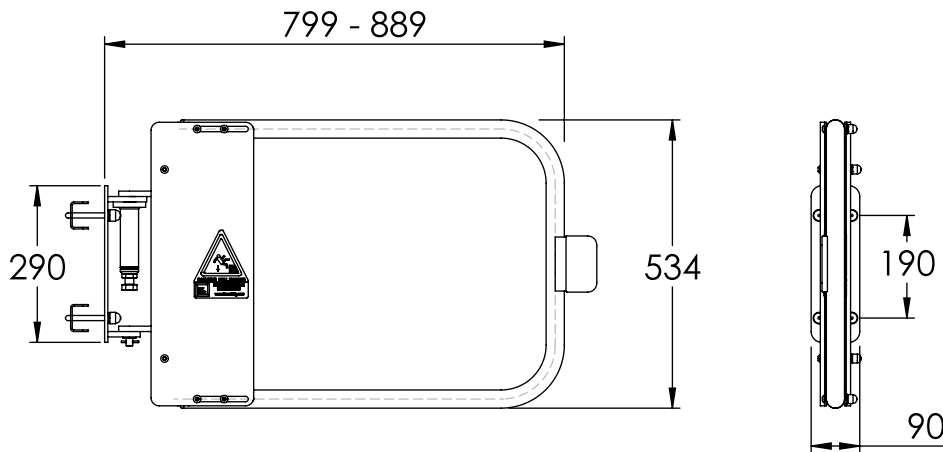
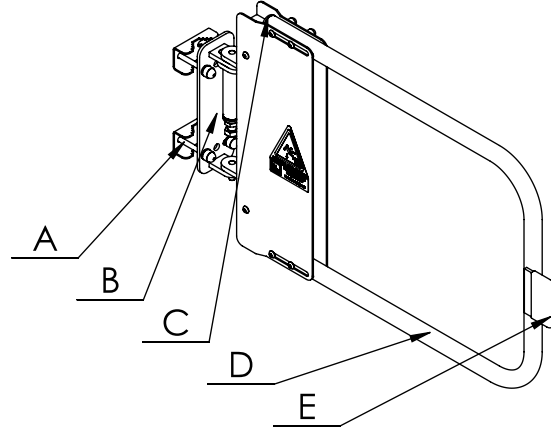
Material	Mild Steel, Malleable Cast Iron, Rubber
Finish	Powder Coated USA - AAMA 2603-2605, Galvanised steel to ASTM A53, Natural
Weight	18.3kg

Technical Datasheet No: 0015

KEE GATE 33" NORTH AMERICA GALVANISED ASSEMBLY

Part No: SGNA033GV

Short Part No: SG33GV



ITEM NO.	PART NO.	DESCRIPTION	QTY.
A	SGNAFXPK1	SAFETY GATE NORTH AMERICAN FIXING PACK 1	1
B	SGK-SGNA0	SAFETY GATE KIT SGNA0-- NORTH AMERICA	1
C	007760040	77-6 PLASTIC PLUG	2
D	SGAS008GVF	US WELDED D-BEND ASSEMBLY - GALVANISED 33"	1
E	SGSD002PL	SLAM PLATE COVER	1

APPLICATION

Spring Loaded, self-closing safety gate for North America. Each model can be adjusted on site without need for cutting or welding. Complete with fixing pack.

COMPONENT SPECIFICATION

Material	Mild Steel, Malleable Cast Iron, Rubber
Finish	Galvanised steel to ASTM A53, Natural
Weight	18.6kg

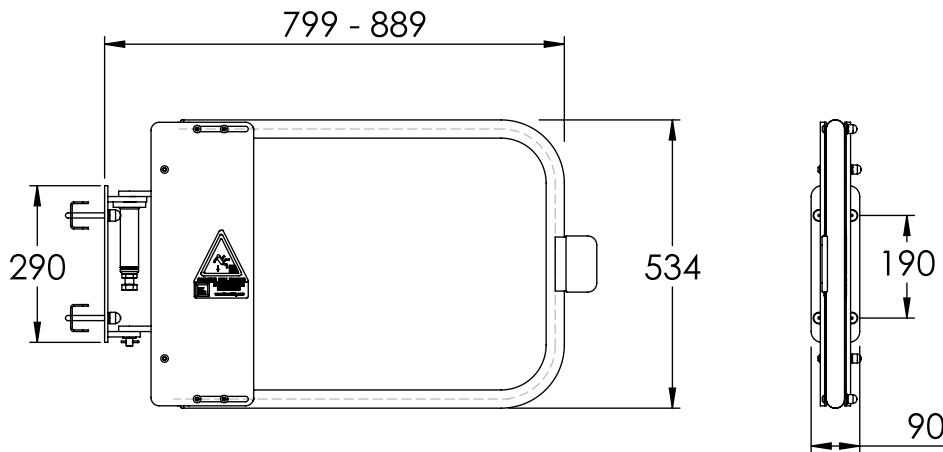
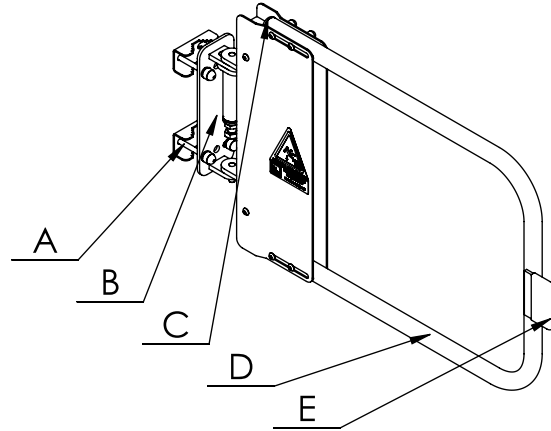
Technical Datasheet No: 0016



KEE GATE 33" NORTH AMERICA POWDER COATED ASSEMBLY

Part No: SGNA033PC

Short Part No: SG33PC



ITEM NO.	PART NO.	DESCRIPTION	QTY.
A	SGNAFXPK1	SAFETY GATE NORTH AMERICAN FIXING PACK 1	1
B	SGK-SGNA0	SAFETY GATE KIT SGNA0-- NORTH AMERICA	1
C	007760040	77-6 PLASTIC PLUG	2
D	SGAS005PCF	US WELDED D-BEND ASSEMBLY - POWDER COATED 33"	1
E	SGSD002PL	SLAM PLATE COVER	1

APPLICATION

Spring Loaded, self-closing safety gate for North America. Each model can be adjusted on site without need for cutting or welding. Complete with fixing pack.

COMPONENT SPECIFICATION

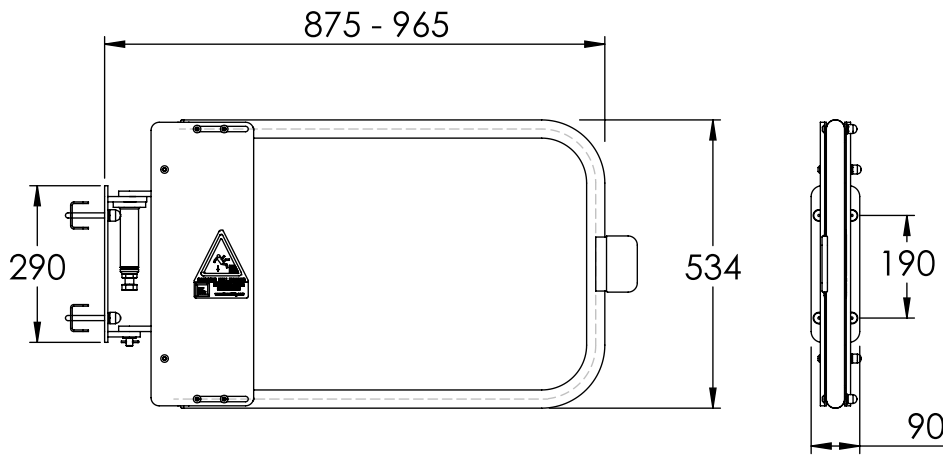
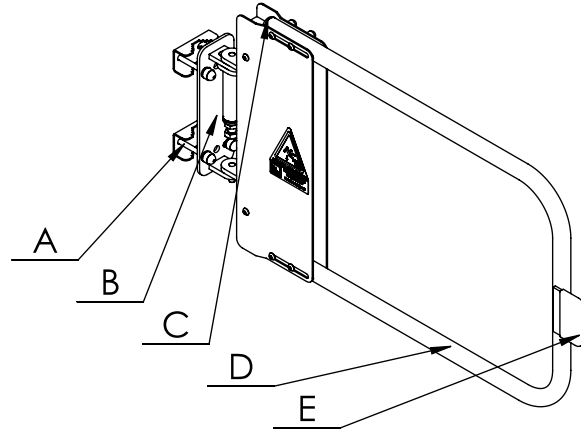
Material	Mild Steel, Malleable Cast Iron, Rubber
Finish	Powder Coated USA - AAMA 2603-2605, Galvanised steel to ASTM A53, Natural
Weight	18.6kg

Technical Datasheet No: 0017

KEE GATE 36" NORTH AMERICA GALVANISED ASSEMBLY

Part No: SGNA036GV

Short Part No: SG36GV



ITEM NO.	PART NO.	DESCRIPTION	QTY.
A	SGNAFXPK1	SAFETY GATE NORTH AMERICAN FIXING PACK 1	1
B	SGK-SGNA0	SAFETY GATE KIT SGNA0-- NORTH AMERICA	1
C	007760040	77-6 PLASTIC PLUG	2
D	SGAS008GVG	US WELDED D-BEND ASSEMBLY - GALVANISED 36"	1
E	SGSD002PL	SLAM PLATE COVER	1

APPLICATION

Spring Loaded, self-closing safety gate for North America. Each model can be adjusted on site without need for cutting or welding. Complete with fixing pack.

COMPONENT SPECIFICATION

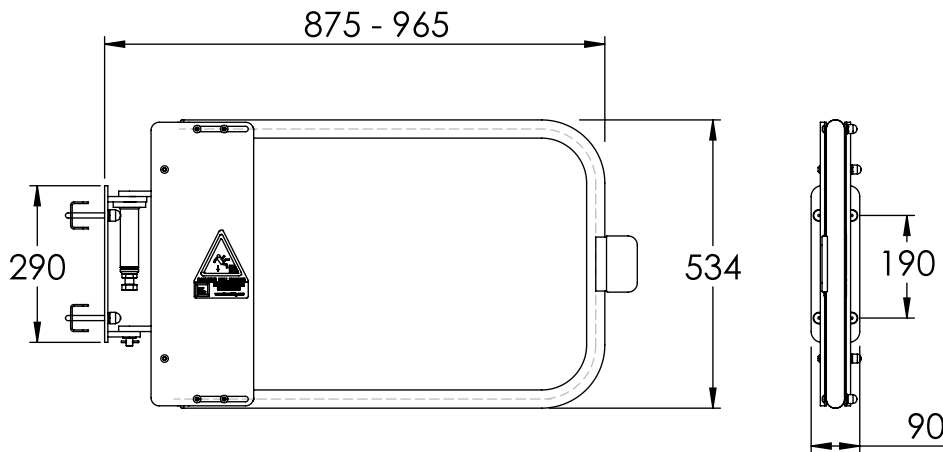
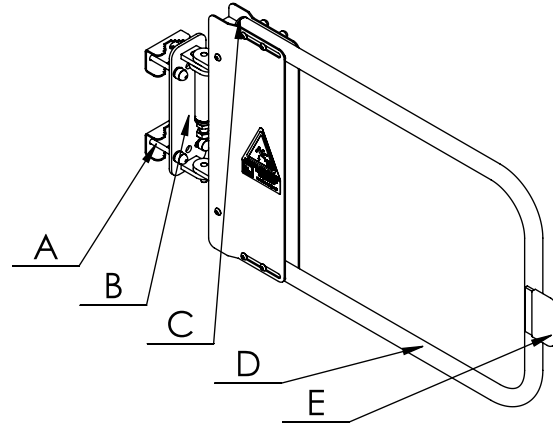
Material	Mild Steel, Malleable Cast Iron, Rubber
Finish	Galvanised steel to ASTM A53, Natural
Weight	19kg

Technical Datasheet No: 0018

KEE GATE 36" NORTH AMERICA POWDER COATED ASSEMBLY

Part No: SGNA036PC

Short Part No: SG36PC



ITEM NO.	PART NO.	DESCRIPTION	QTY.
A	SGNAFXPK1	SAFETY GATE NORTH AMERICAN FIXING PACK 1	1
B	SGK-SGNA0	SAFETY GATE KIT SGNA0-- NORTH AMERICA	1
C	007760040	77-6 PLASTIC PLUG	2
D	SGAS005PCG	US WELDED D-BEND ASSEMBLY - POWDER COATED 36"	1
E	SGSD002PL	SLAM PLATE COVER	1

APPLICATION

Spring Loaded, self-closing safety gate for North America. Each model can be adjusted on site without need for cutting or welding. Complete with fixing pack.

COMPONENT SPECIFICATION

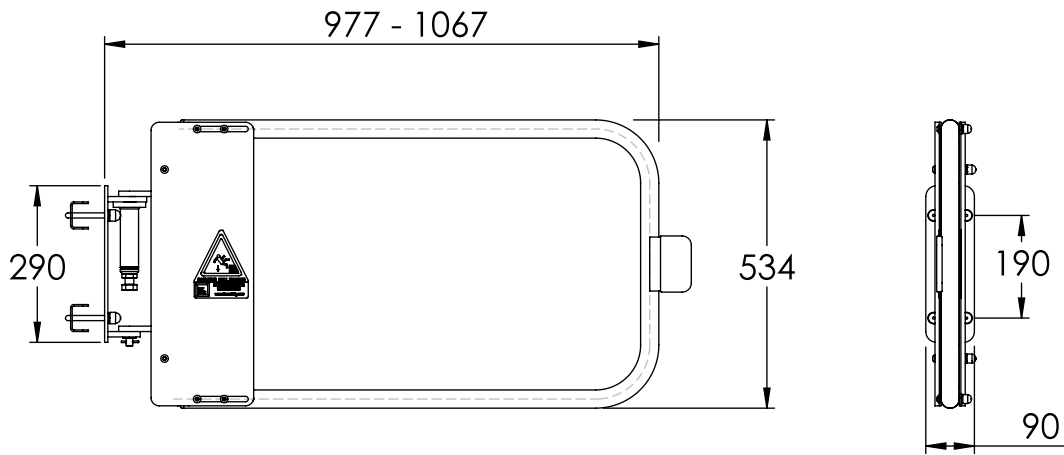
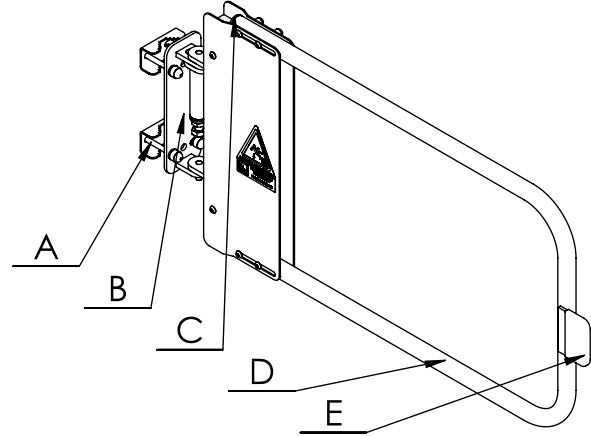
Material	Mild Steel, Malleable Cast Iron, Rubber
Finish	Powder Coated USA - AAMA 2603-2605, Galvanised steel to ASTM A53, Natural
Weight	19kg

Technical Datasheet No: 0019

KEE GATE 40" NORTH AMERICA GALVANISED ASSEMBLY

Part No: SGNA040GV

Short Part No: SG40GV



ITEM NO.	PART NO.	DESCRIPTION	QTY.
A	SGNAFXPK1	SAFETY GATE NORTH AMERICAN FIXING PACK 1	1
B	SGK-SGNA0	SAFETY GATE KIT SGNA0-- NORTH AMERICA	1
C	007760040	77-6 PLASTIC PLUG	2
D	SGAS008GVH	US WELDED D-BEND ASSEMBLY - GALVANISED 40"	1
E	SGSD002PL	SLAM PLATE COVER	1

APPLICATION

Spring Loaded, self-closing safety gate for North America. Each model can be adjusted on site without need for cutting or welding. Complete with fixing pack.

COMPONENT SPECIFICATION

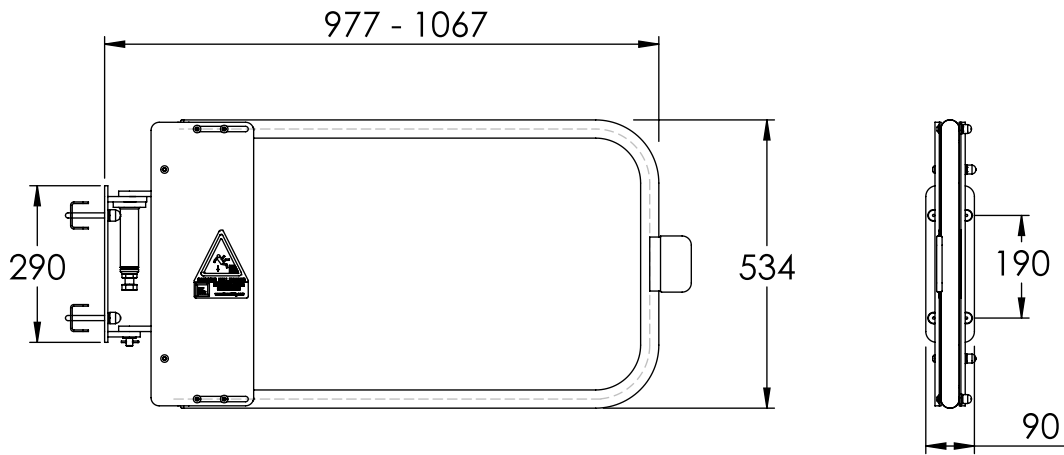
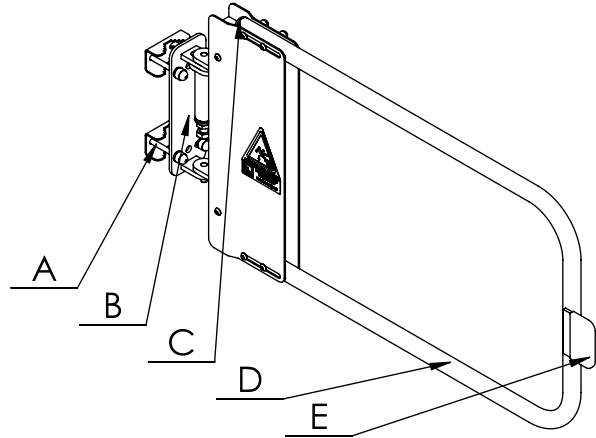
Material	Mild Steel, Malleable Cast Iron, Rubber
Finish	Galvanised steel to ASTM A53, Natural
Weight	19.4kg

Technical Datasheet No: 0020

KEE GATE 40" NORTH AMERICA POWDER COATED ASSEMBLY

Part No: SGNA040PC

Short Part No: SG40PC



ITEM NO.	PART NO.	DESCRIPTION	QTY.
A	SGNAFXPK1	SAFETY GATE NORTH AMERICAN FIXING PACK 1	1
B	SGK-SGNA0	SAFETY GATE KIT SGNA0-- NORTH AMERICA	1
C	007760040	77-6 PLASTIC PLUG	2
D	SGAS005PCH	US WELDED D-BEND ASSEMBLY - POWDER COATED 40"	1
E	SGSD002PL	SLAM PLATE COVER	1

APPLICATION

Spring Loaded, self-closing safety gate for North America. Each model can be adjusted on site without need for cutting or welding. Complete with fixing pack.

COMPONENT SPECIFICATION

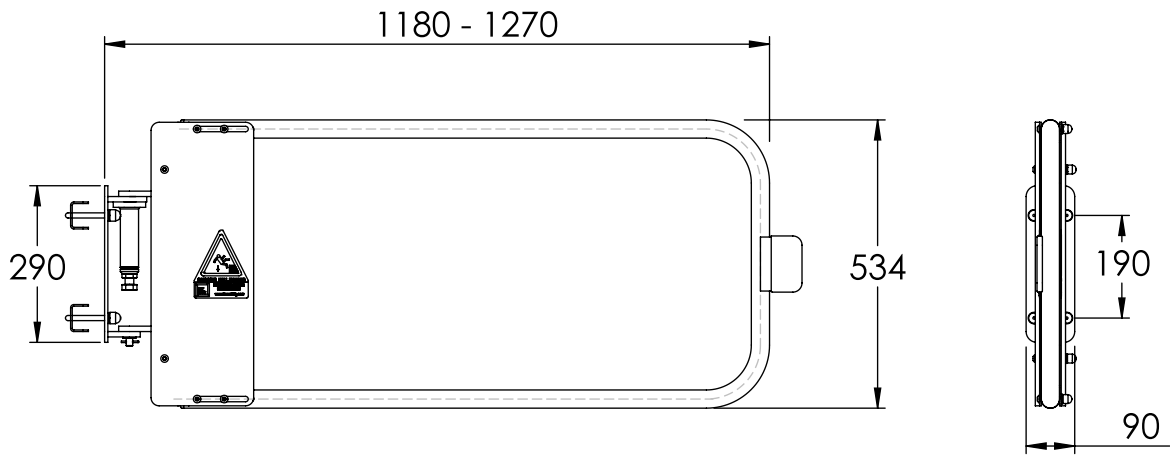
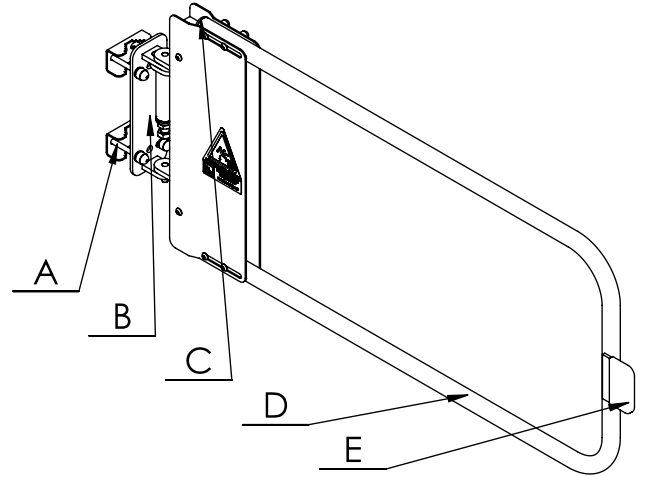
Material	Mild Steel, Malleable Cast Iron, Rubber
Finish	Powder Coated USA - AAMA 2603-2605, Galvanised steel to ASTM A53, Natural
Weight	19.4kg

Technical Datasheet No: 0021

KEE GATE 48" NORTH AMERICA GALVANISED ASSEMBLY

Part No: SGNA048GV

Short Part No: SG48GV



ITEM NO.	PART NO.	DESCRIPTION	QTY.
A	SGNAFXPK1	SAFETY GATE NORTH AMERICAN FIXING PACK 1	1
B	SGK-SGNA0	SAFETY GATE KIT SGNA0-- NORTH AMERICA	1
C	007760040	77-6 PLASTIC PLUG	2
D	SGAS008GVJ	US WELDED D-BEND ASSEMBLY - GALVANISED 48"	1
E	SGSD002PL	SLAM PLATE COVER	1

APPLICATION

Spring Loaded, self-closing safety gate for North America. Each model can be adjusted on site without need for cutting or welding. Complete with fixing pack.

COMPONENT SPECIFICATION

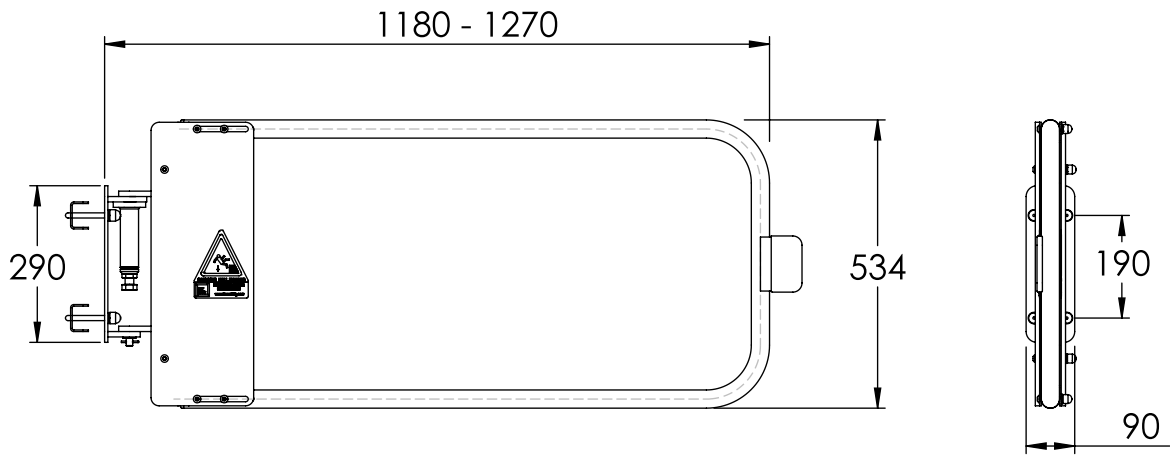
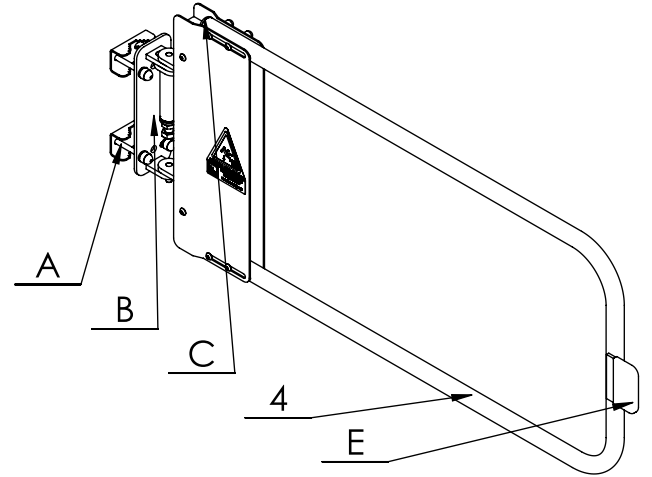
Material	Mild Steel, Malleable Cast Iron, Rubber
Finish	Galvanised steel to ASTM A53, Natural
Weight	20.3kg

Technical Datasheet No: 0022

KEE GATE 48" NORTH AMERICA POWDER COATED ASSEMBLY

Part No: SGNA048PC

Short Part No: SG48PC



ITEM NO.	PART NO.	DESCRIPTION	QTY.
A	SGNAFXPK1	SAFETY GATE NORTH AMERICAN FIXING PACK 1	1
B	SGK-SGNA0	SAFETY GATE KIT SGNA0-- NORTH AMERICA	1
C	007760040	77-6 PLASTIC PLUG	2
4	SGSA005PCJ	US WELDED D-BEND ASSEMBLY - POWDER COATED 48"	1
E	SGSD002PL	SLAM PLATE COVER	1

APPLICATION

Spring Loaded, self-closing safety gate for North America. Each model can be adjusted on site without need for cutting or welding. Complete with fixing pack.

COMPONENT SPECIFICATION

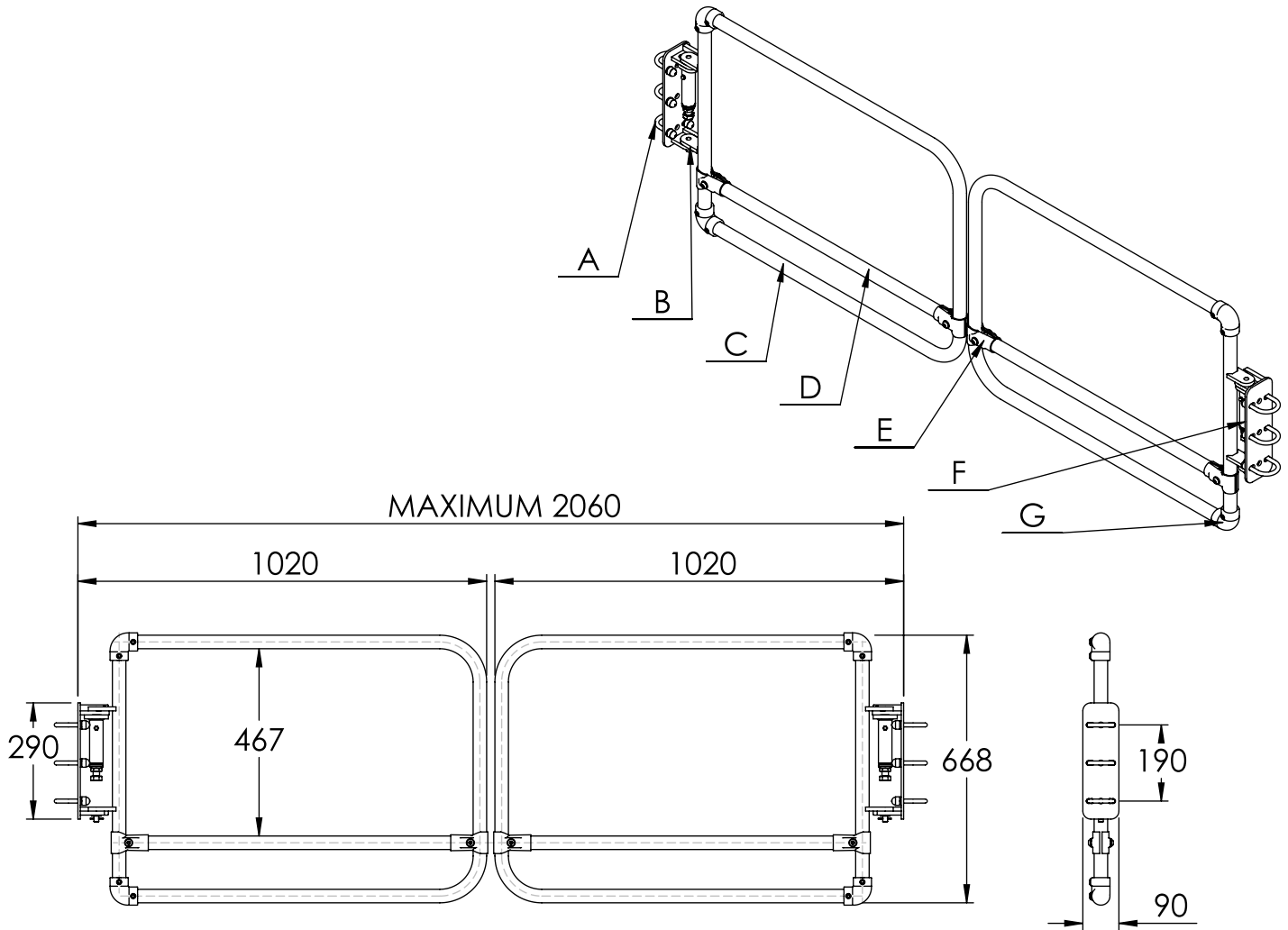
Material	Mild Steel, Malleable Cast Iron, Rubber
Finish	Powder Coated USA - AAMA 2603-2605, Galvanised steel to ASTM A53, Natural
Weight	20.3kg

Technical Datasheet No: 0023

EUROPEAN POWDER GALVANISED GATE ASSEMBLY

Part No: SGEUDP2GV

Short Part No: SGEUDP2GV



ITEM NO.	PART NO.	DESCRIPTION	QTY.
A	SGEUFXPK2	SGEUFXPK2 - DOUBLE SAFETY GATE EUROPEAN FIXING PACK 1	2
B	SGK-SGDBPEU	SAFETY GATE KIT DOUBLE GATE RH	1
C	SGAS616GV	SGAS616GV DOUBLE SAFETY GATE D-BEND	2
D	SGEUMDDGV	CUT TUBE $\varnothing 33,7 \times 3,2$ EN10255 @ 818,0 GALVANISED	2
E	MIDDLE TUBE FIXING PACK	H.D.G. SPLIT CLAMP TYPE 2101866 C/W SS BUTTON HEAD SCREWS, COUPLER NUT & TOOTHED WASHERS	4
F	SGK-SGDBREU	SAFETY GATE KIT DOUBLE GATE LH	1
G	001560010	15-6 90° ELBOW	4

APPLICATION

Spring Loaded, self-closing double safety gate. Manufactured from steel to EN 10255. 33.7mm diameter tube x 3.2mm wall thickness to meet requirements of EN 13374 & EN 14122:2016. Complete with fixing pack.

COMPONENT SPECIFICATION

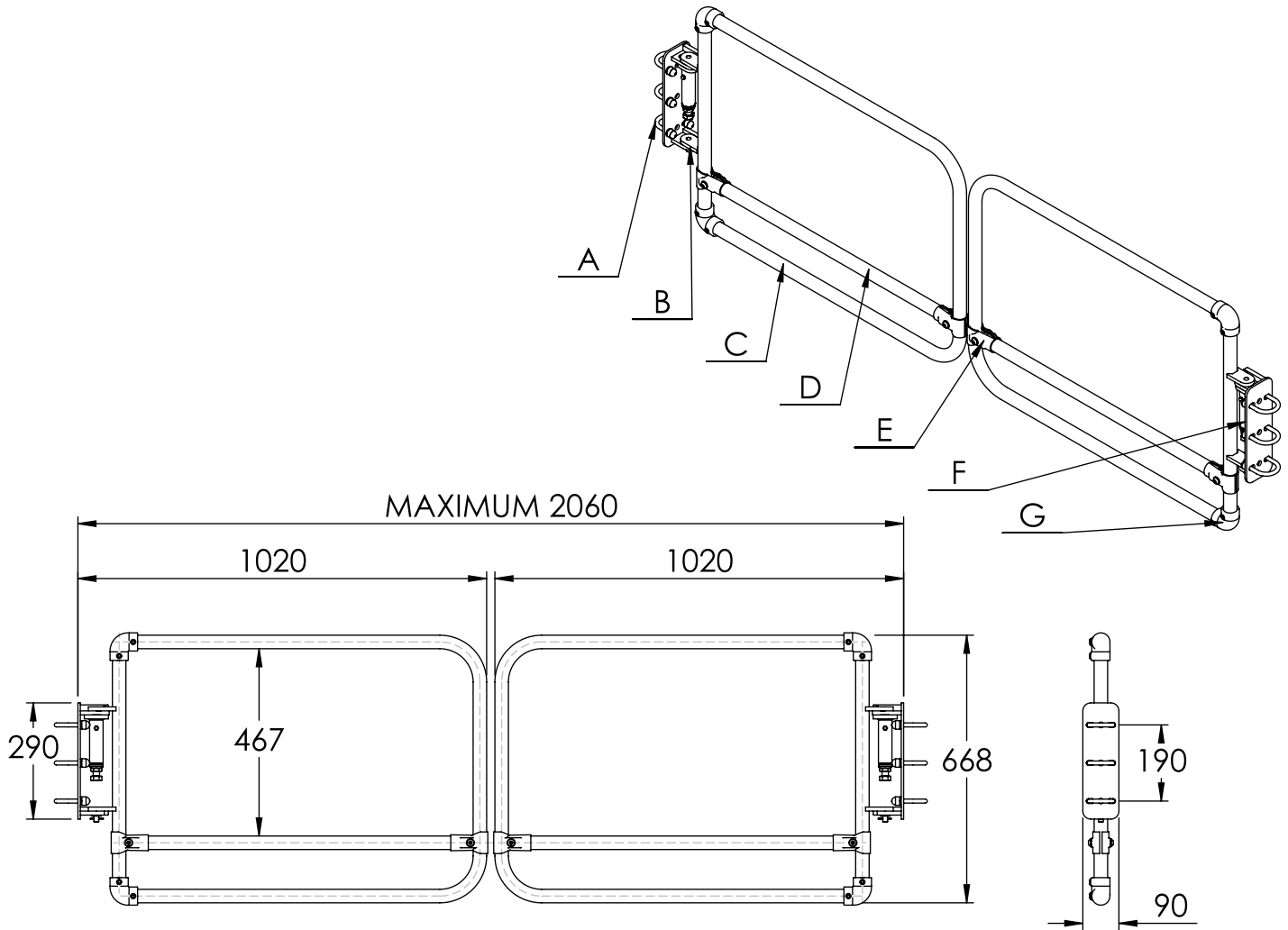
Material	Mild Steel, Malleable Cast Iron
Finish	Galvanised to BS EN ISO 1461 ASTM A53
Weight	31kg

Technical Datasheet No: 0024

EUROPEAN POWDER COATED DOUBLE GATE ASSEMBLY

Part No: SGEUDP2PC

Short Part No: SGEUDP2PC



ITEM NO.	PART NO.	DESCRIPTION	QTY.
A	SGEUFXPK2	SGEUFXPK2 - DOUBLE SAFETY GATE EUROPEAN FIXING PACK 1	2
B	SGK-SGDBPEU	SAFETY GATE KIT DOUBLE GATE RH	1
C	SGAS616PC	SGAS616PC DOUBLE SAFETY GATE D-BEND	2
D	SGEUMDDPC	CUT TUBE $\varnothing 33,7 \times 3,2$ EN10255 @ 818,0 POWDER COATED	2
E	MIDDLE TUBE FIXING PACK	H.D.G. SPLIT CLAMP TYPE 2101866 C/W SS BUTTON HEAD SCREWS, COUPLER NUT & TOOTHED WASHERS	4
F	SGK-SGDBREU	SAFETY GATE KIT DOUBLE GATE LH	1
G	001560010	15-6 90° ELBOW	4

APPLICATION

Spring Loaded, self-closing double safety gate. Manufactured from steel to EN 10255. 33.7mm diameter tube x 3.2mm wall thickness to meet requirements of EN 13374 & EN 14122:2016. Complete with fixing pack.

COMPONENT SPECIFICATION

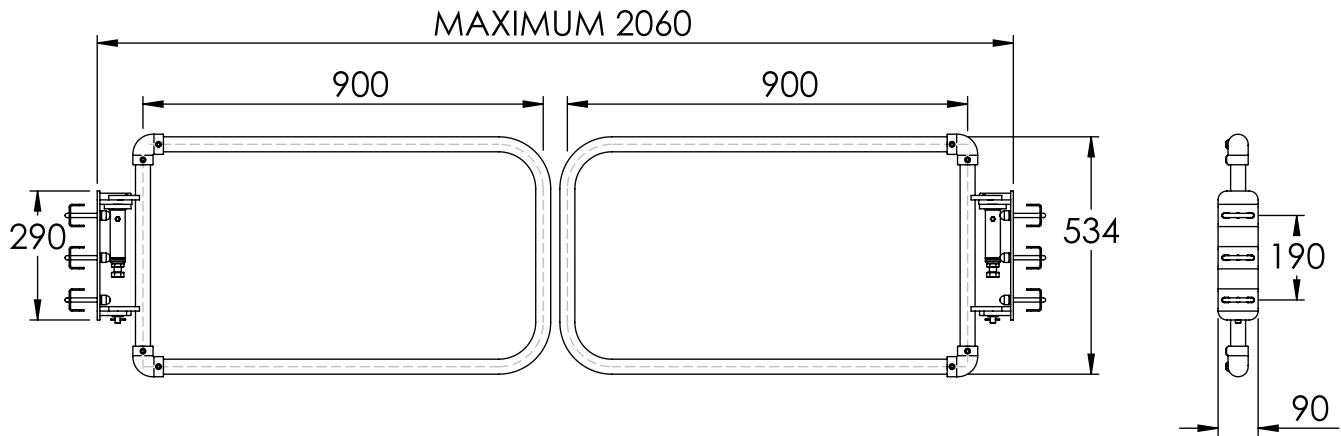
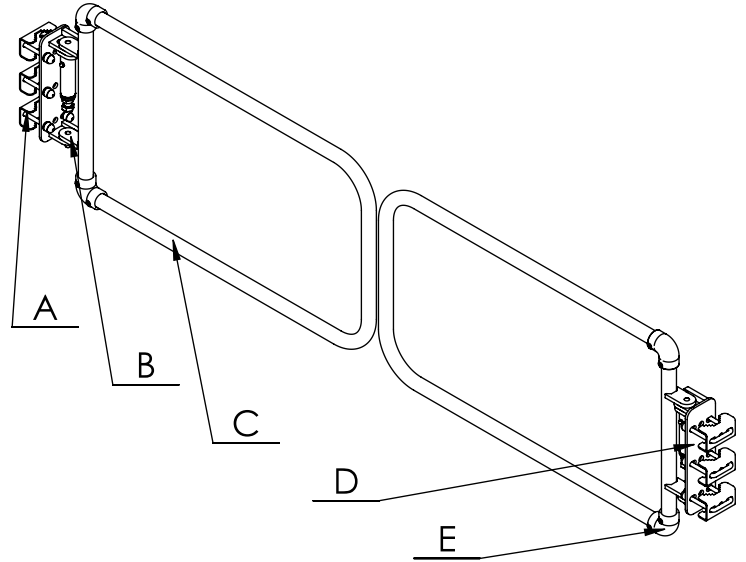
Material	Mild Steel, Malleable Cast Iron
Finish	Powder Coated to EN 13438, Galvanised to BS EN ISO 1461 ASTM A53
Weight	31kg

Technical Datasheet No: 0025

NORTH AMERICA GALVANISED DOUBLE GATE ASSEMBLY

Part No: SGDBLNAGV

Short Part No: SGDBLNAGV



ITEM NO.	PART NO.	DESCRIPTION	QTY.
A	SGNAFXPK2	DOUBLE SAFETY GATE NORTH AMERICAN FIXING PACK 1	2
B	SGK-SGBPNA	SAFETY GATE KIT FOR SGDBPNA RH	1
C	SGAS016GV	DOUBLE GATE "D" - BEND ASSEMBLY GALVANISED	2
D	SGK-SGBRNA	SAFETY GATE KIT FOR SGDBPNA LH	1
E	001560010	15-6 90° ELBOW	4

APPLICATION

Spring Loaded, self-closing safety gate. Manufactured from steel to EN 10255. 33.7mm diameter tube x 3.2mm wall thickness to meet requirements of EN 13374 & EN 14122. Specify SGDBPEUGV to include European fixing pack or SGDBPNAGV for NA fixing pack.

COMPONENT SPECIFICATION

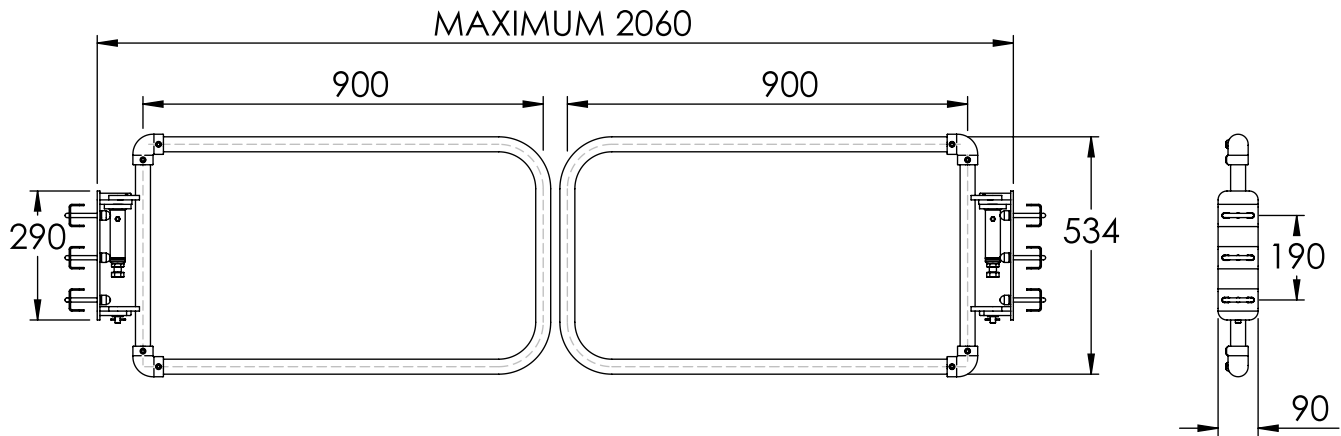
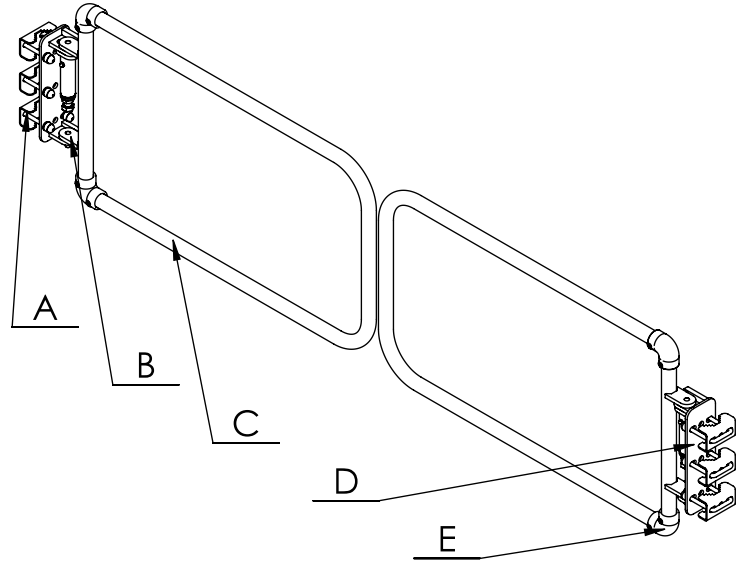
Material	Mild Steel, Malleable Cast Iron
Finish	Galvanised to BS EN ISO 1461 ASTM A53
Weight	25kg

Technical Datasheet No: 0026

NORTH AMERICA POWDER COATED DOUBLE GATE ASSEMBLY

Part No: SGDBLNAPC

Short Part No: SGDBLNAPC



ITEM NO.	PART NO.	DESCRIPTION	QTY.
A	SGNAFXPK2	DOUBLE SAFETY GATE NORTH AMERICAN FIXING PACK 1	2
B	SGK-SGBPNA	SAFETY GATE KIT FOR SGDBPNA RH	1
C	SGAS009PC	DOUBLE GATE "D" - BEND ASSEMBLY POWDER COATED	2
D	SGK-SGBRNA	SAFETY GATE KIT FOR SGDBPNA LH	1
E	001560010	15-6 90° ELBOW	4

APPLICATION

Spring Loaded, self-closing safety gate. Manufactured from steel to EN 10255. 33.7mm diameter tube x 3.2mm wall thickness to meet requirements of EN 13374 & EN 14122. Specify SGDBPEUGV to include European fixing pack or SGDBPNAGV for NA fixing pack.

COMPONENT SPECIFICATION

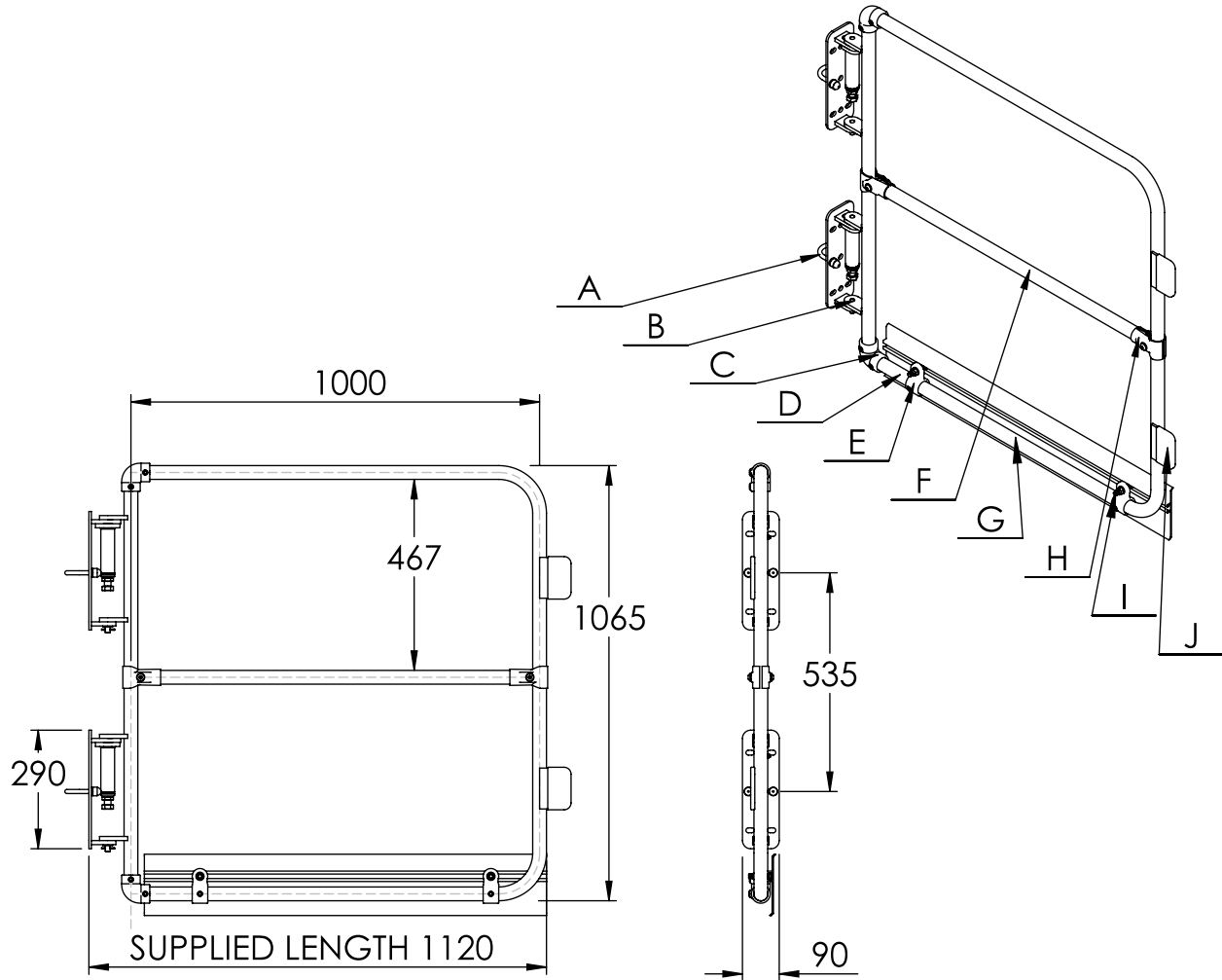
Material	Mild Steel, Malleable Cast Iron
Finish	Powder Coated to EN 13438, Galvanised to BS EN ISO 1461 ASTM A53
Weight	25kg

Technical Datasheet No: 0056

EUROPEAN FULL HEIGHT GATE ASSEMBLY - GALVANISED

Part No: SGEUFH1GV

Short Part No: SGEUFH1GV



ITEM NO.	PART NO.	DESCRIPTION	QTY.
A	SGEUFXPK1	SAFETY GATE EUROPEAN FIXING PACK	1
B	SGK-SGEUFH1	SAFETY GATE KIT FOR HEIGHT GATE SGEUFH1	1
C	001560010	1.5-6 90° ELBOW	2
D	SGAS018GV	FULL HEIGHT GATE 3 'D' BEND WELDED ASSEMBLY - GALVANISED	1
E	M05060010	M50-6 MALE SINGLE SWIVEL SOCKET MEMBER	2
F	SGEUMIDGV	CUT TUBE Ø34 x EN10255 @ 918	1
G	SGSD037AL	EUROPEAN FULL HEIGHT GATE TOEBORD	1
H	MIDDLE TUBE FIXING PACK	H.D.G. SPLIT CLAMP TYPE 2101866 C/W SS BUTTON HEAD SCREWS, COUPLER NUT & TOOTHED WASHERS	2
I	TOEBORD FIXINGS	M10 x 50 HEX. HEAD SCREW, M10 FLAT WASHER M10 NYLOC NUT GRADE A4 STAINLESS STEEL	2
J	SGSD002PL	SLAM PLATE COVER	2

APPLICATION

KEE GATE has been designed to be fully adjustable and can accommodate openings up to 1m (USA 18" - 48") for single gate and 1.8m (70.86") for the double gate. Connecting the "KEE GATE" to the supporting structure/post/ stringer is simple via using the U-bolt which can provide connection around any flat, square or tubular stringer from 33.7 - 48.3mm (1" - 1.5").

COMPONENT SPECIFICATION

Material	Mild Steel, Malleable Cast Iron, Rubber
Finish	Galvanised steel to BS EN ISO 1461, Natural
Weight	21,5kg

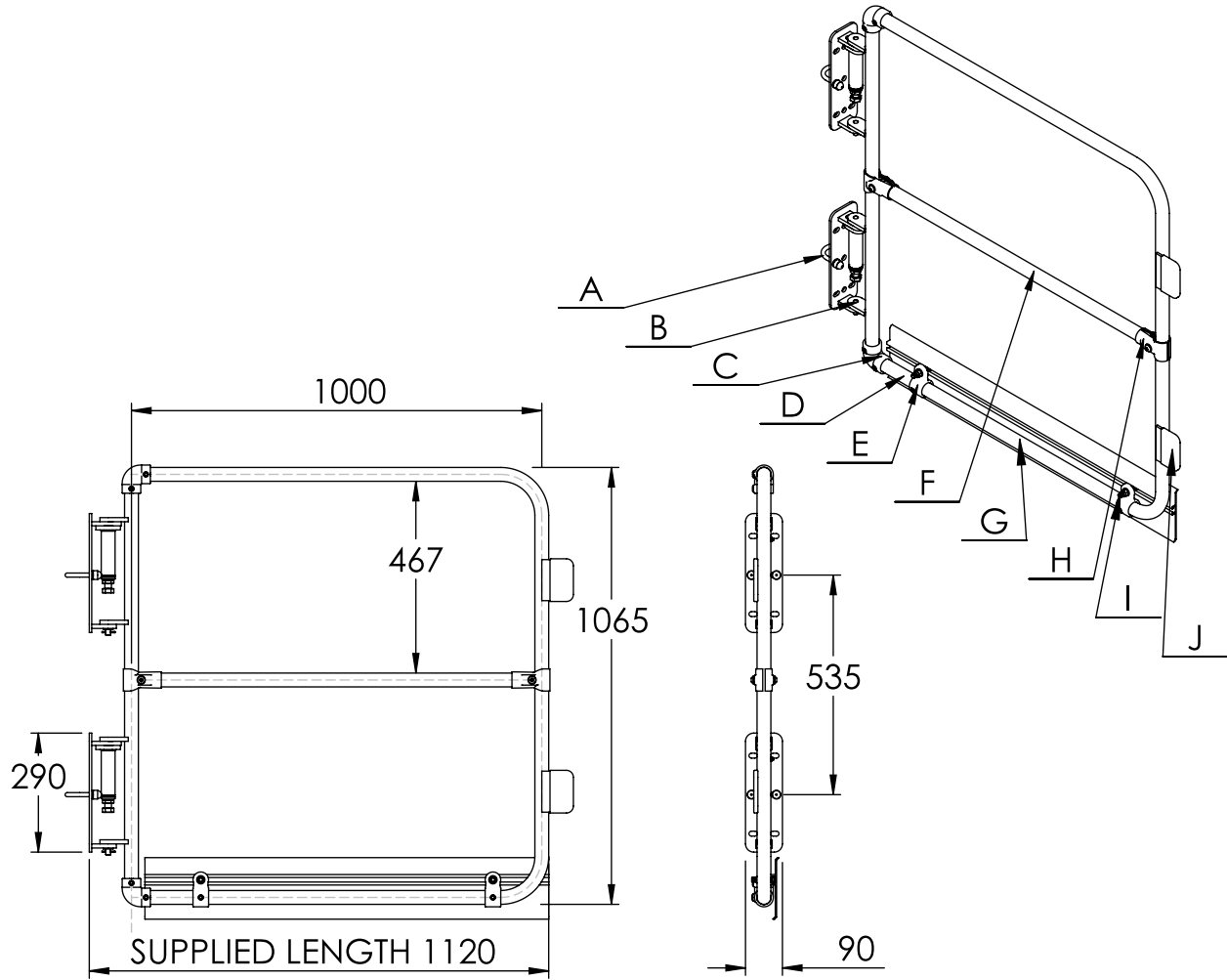
Technical Datasheet No: 0057



EUROPEAN FULL HEIGHT GATE ASSEMBLY - POWDER COATED

Part No: SGEUFH1PC

Short Part No: SGEUFH1PC



ITEM NO.	PART NO.	DESCRIPTION	QTY.
A	SGEUFXPK1	SAFETY GATE EUROPEAN FIXING PACK	1
B	SGK-SGEUFH1	SAFETY GATE KIT FOR HEIGHT GATE SGEUFH1	1
C	001560010	15-6 90° ELBOW	2
D	SGAS010PC	FULL HEIGHT GATE 'D' BEND WELDED ASSEMBLY - POWDER COATED	1
E	M05060010	M50-6 MALE SINGLE SWIVEL SOCKET MEMBER	2
F	SGEUMIDPC	CUT TUBE $\varnothing 34 \times$ EN10255 @ 918	1
G	SGSD037AL	EUROPEAN FULL HEIGHT GATE TOEBOARD	1
H	MIDDLE TUBE FIXING PACK	H.D.G. SPLIT CLAMP TYPE 2101866 C/W SS BUTTON HEAD SCREWS, COUPLER NUT & TOOTHED WASHERS	2
I	TOEBORD FIXINGS	M10 x 50 HEX. HEAD SCREW, M10 FLAT WASHER M10 NYLOC NUT GRADE A4 STAINLESS STEEL	2
J	SGSD002PL	SLAM PLATE COVER	2

APPLICATION

KEE GATE has been designed to be fully adjustable and can accommodate openings up to 1m (USA 18" - 48") for single gate and 1.8m (70.86") for the double gate. Connecting the "KEE GATE" to the supporting structure/post/ stringer is simple via using the U-bolt which can provide connection around any flat, square or tubular stringer from 33.7 - 48.3mm (1" - 1.5").

COMPONENT SPECIFICATION

Material	Mild Steel, Malleable Cast Iron, Rubber
Finish	Powder Coated Finish to EN 13438, Galvanised steel to BS EN ISO 1461, Natural
Weight	21,5kg

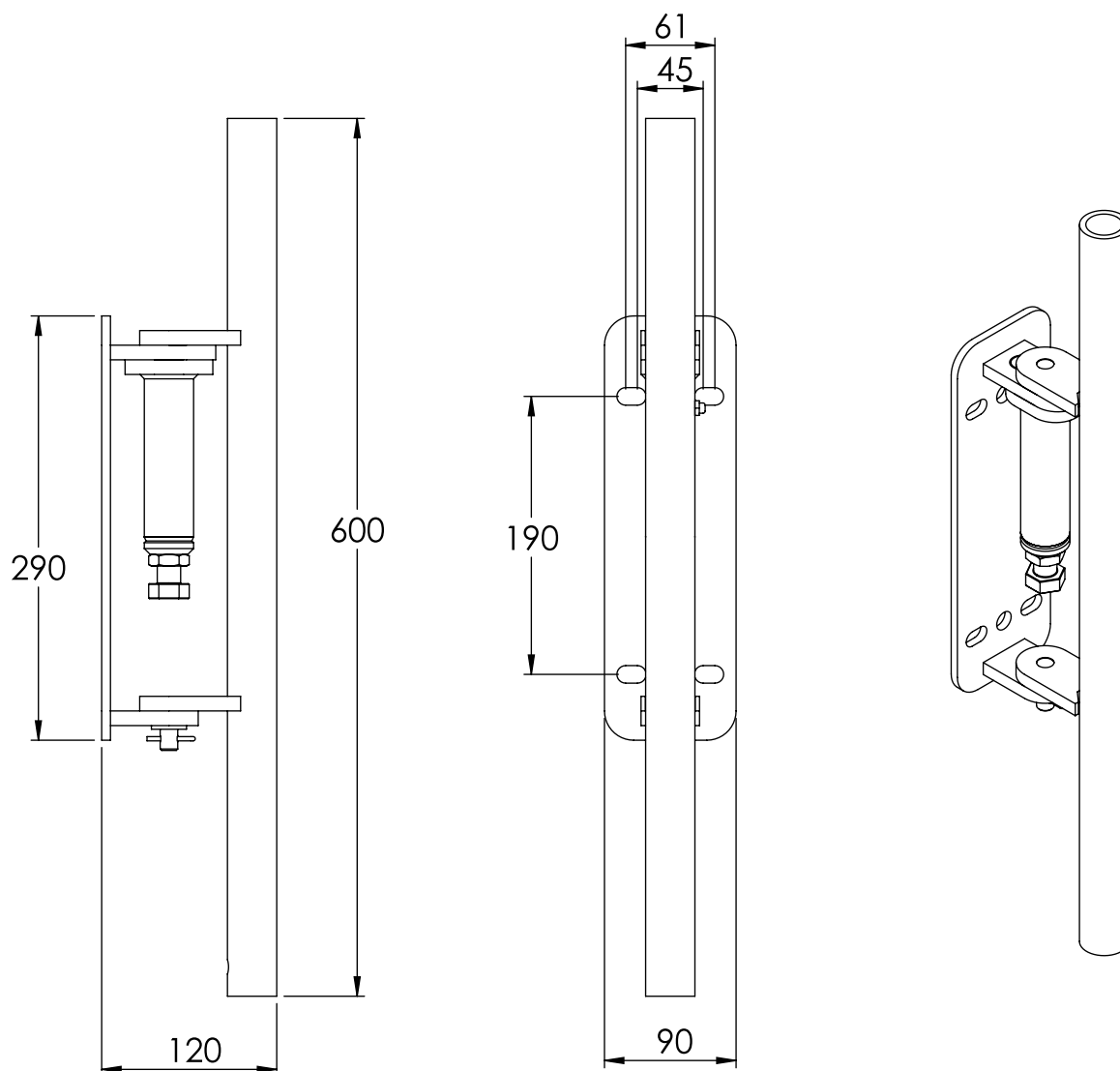
Technical Datasheet No: 0027

Kee Gate®

SAFETY GATE KIT FOR SGEU600

Part No: SGK-SGEU600

Short Part No: SGK-SGEU600



APPLICATION

Spring Loaded, self-closing safety gate kit for Single EU Gate

COMPONENT SPECIFICATION

Material	Mild Steel 070M20
Finish	Galvanised to BS EN ISO 1461 ASTM A53
Weight	4.58kg

Issue Date: 19/09/2017

Issue No: 3

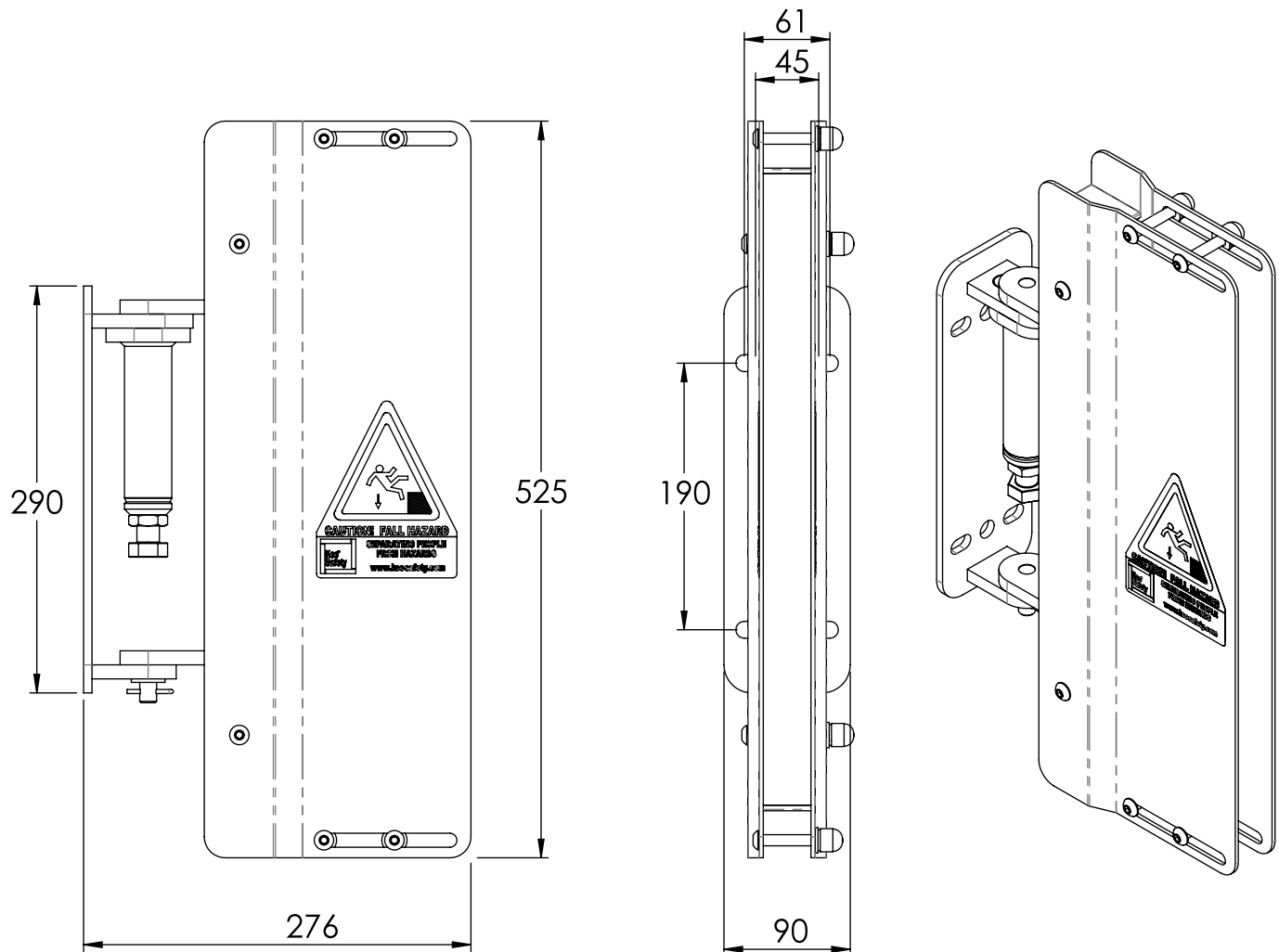
Technical Datasheet No: 0028

SAFETY GATE KIT SGNA0- NORTH AMERICA

Part No: SGK-SGNA0

Short Part No: SGK-SGNA0

Kee Gate®



APPLICATION

Spring Loaded, self-closing safety gate kit for Single NA Gate

COMPONENT SPECIFICATION

Material	Mild Steel 070M20 Q235B
Finish	Galvanised to BS EN ISO 1461 ASTM A53
Weight	9.87kg

Issue Date:19/09/2017

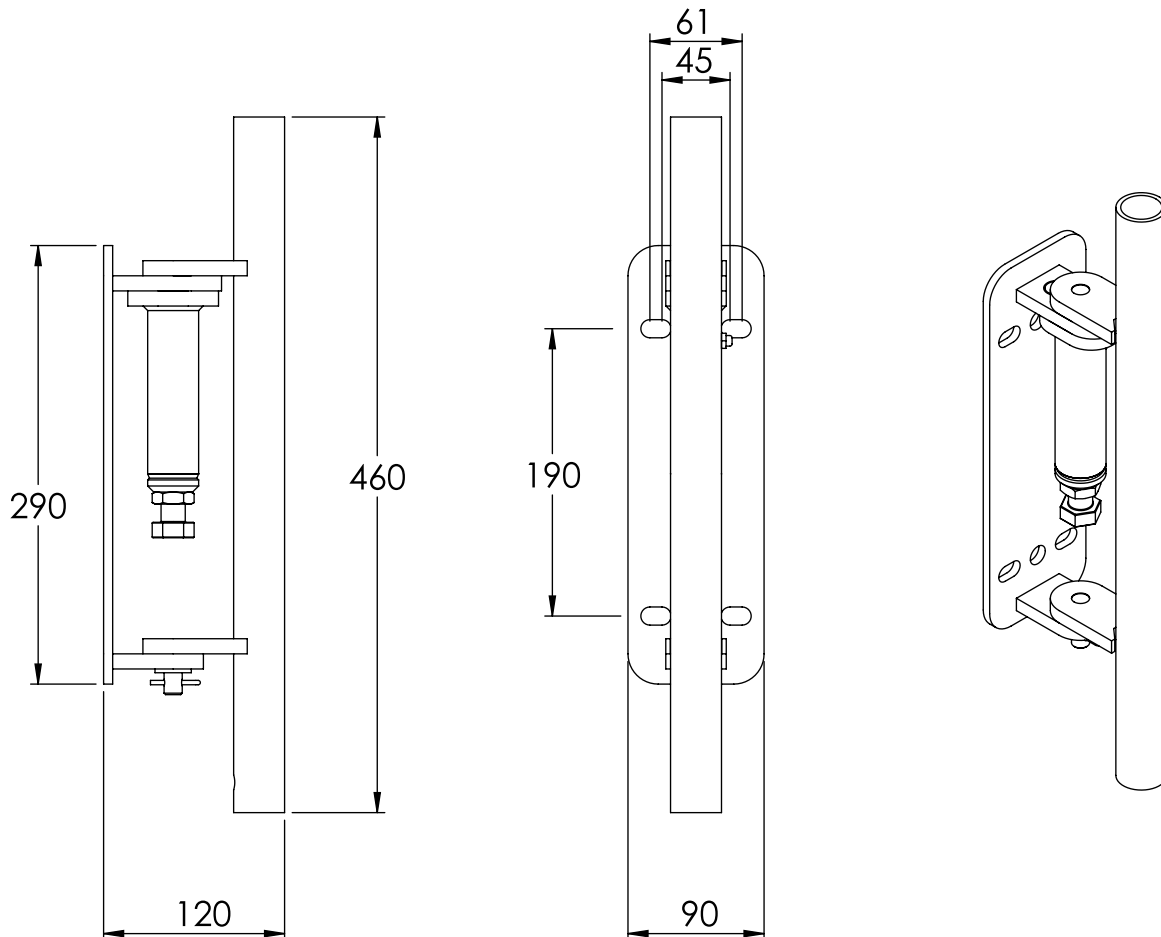
Issue No: 3

Technical Datasheet No: 0029

SAFETY GATE KIT SGNA500 KEE GATE NORTH AMERICA ASSEMBLY

Part No: SGK-SGNA500

Short Part No: SGK-SGNA500



APPLICATION

Spring Loaded, self-closing safety gate kit for Single SGNA500 NA Gate

COMPONENT SPECIFICATION

Material	Mild Steel 070M20 Q235B
Finish	Galvanised to BS EN ISO 1461 ASTM A53
Weight	3.80

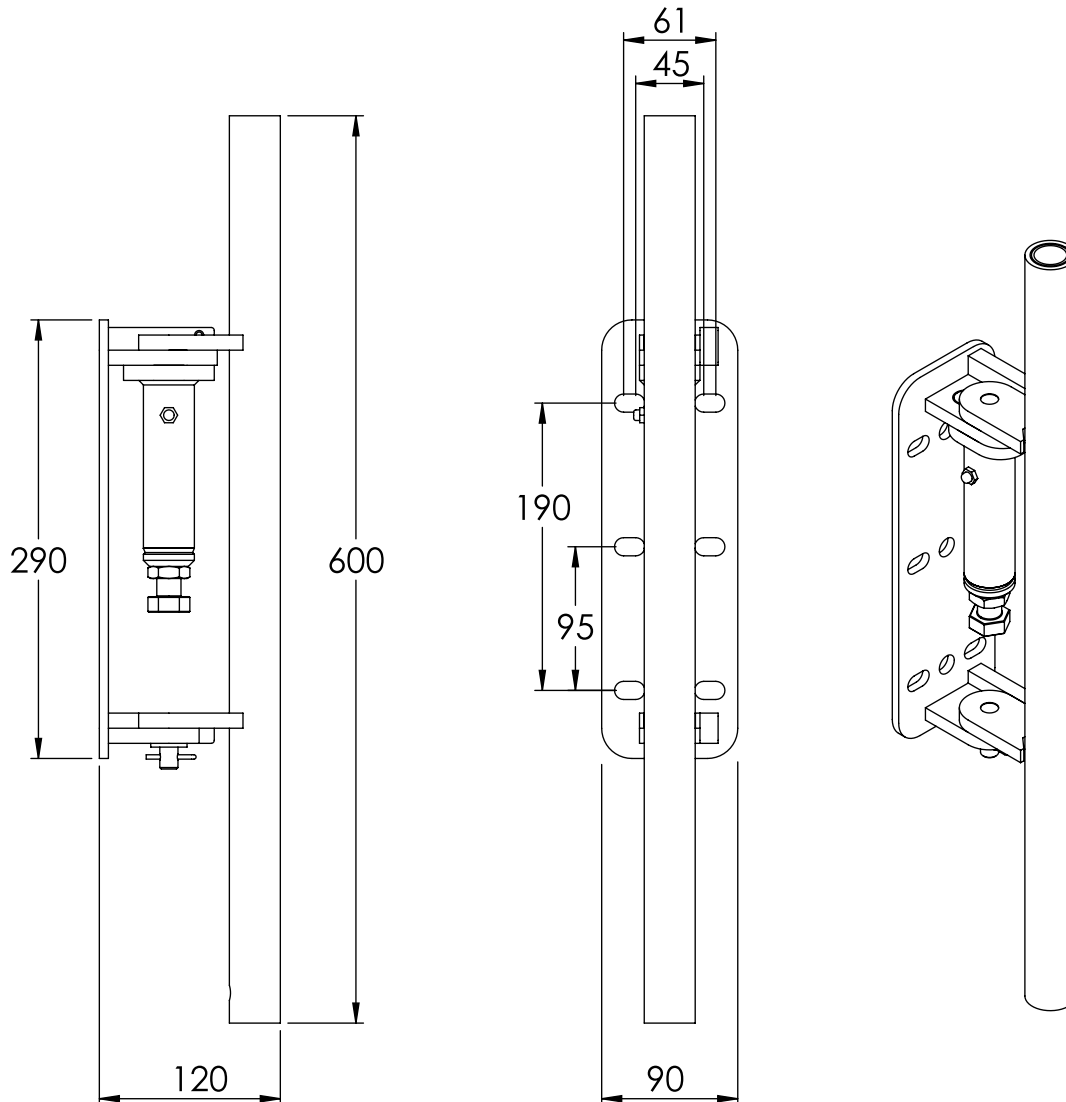
Technical Datasheet No: 0030

Kee Gate®

SAFETY GATE KIT DOUBLE GATE RH

Part No: SGK-SGDBPEU

Short Part No: SGK-SGDBPEU



APPLICATION

Spring Loaded, self-closing safety gate kit for Double Gate RH

COMPONENT SPECIFICATION

Material	Mild Steel 070M20, Q235B
Finish	Galvanised to BS EN ISO 1461 ASTM A53
Weight	5.78kg

Issue Date: 19/09/2017

Issue No: 3

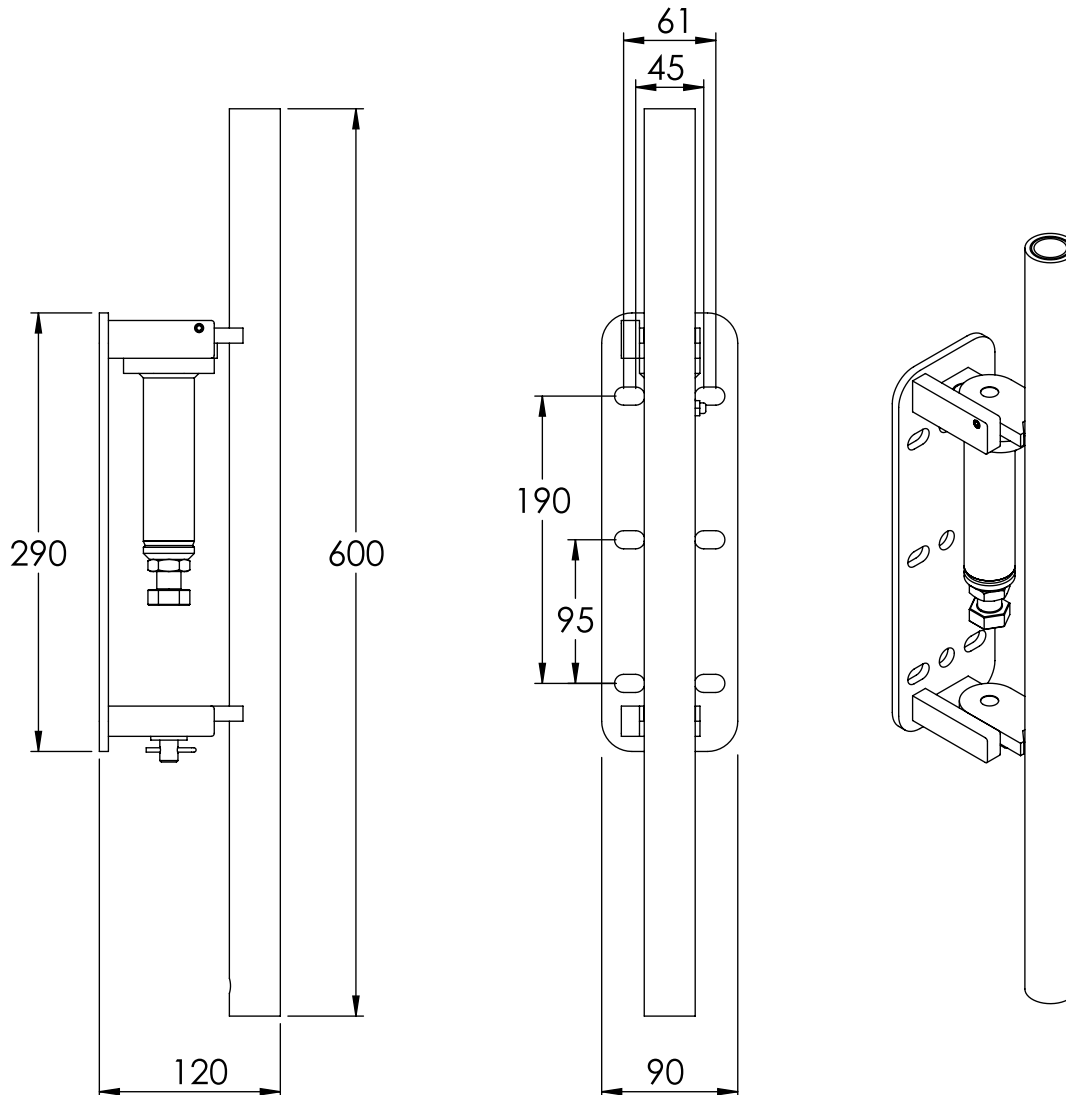
Technical Datasheet No: 0031

Kee Gate®

SAFETY GATE KIT DOUBLE GATE LH

Part No: SGK-SGDBREU

Short Part No: SGK-SGDBREU



APPLICATION

Spring Loaded, self-closing safety gate kit for Double Gate LH

COMPONENT SPECIFICATION

Material	Mild Steel 070M20, Q235B
Finish	Galvanised to BS EN ISO 1461 ASTM A53
Weight	5.78kg

Issue Date: 19/09/2017

Issue No: 3

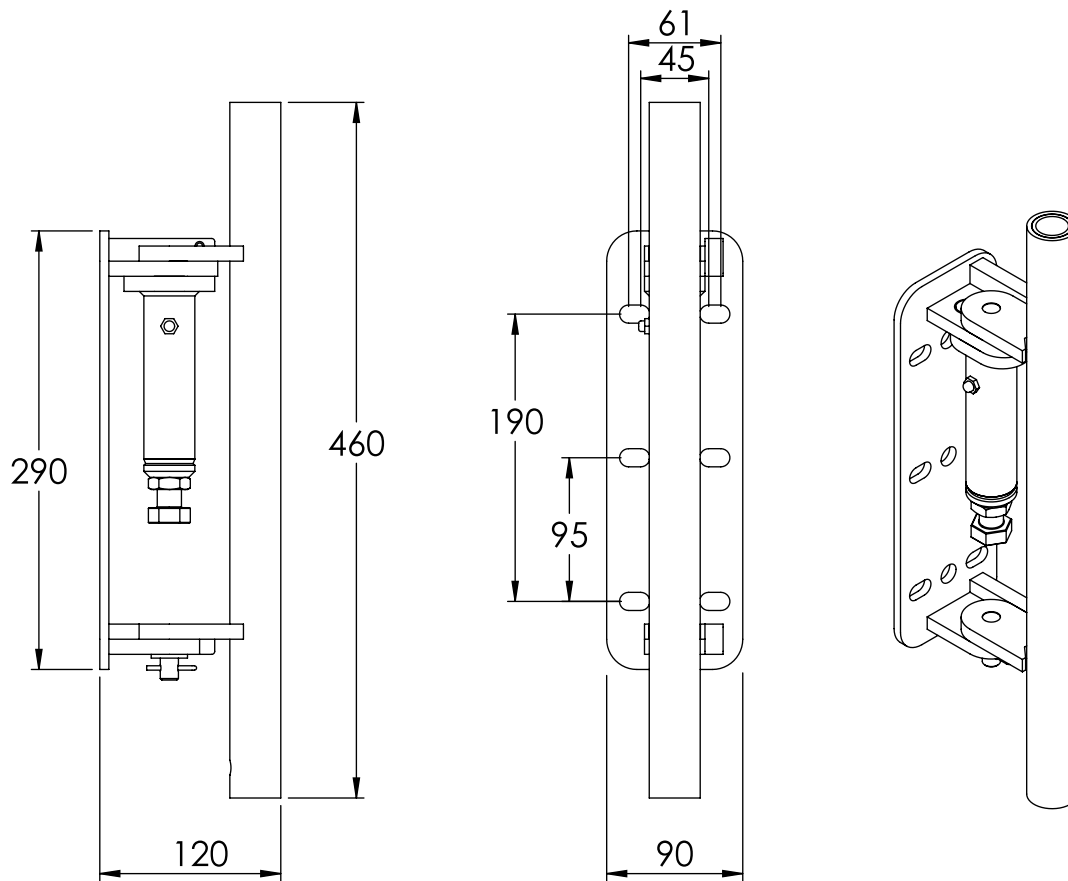
Technical Datasheet No: 0032

Kee Gate®

SAFETY GATE KIT FOR SGDBPNA RH

Part No: SGK-SGBPNA

Short Part No: SGK-SGBPNA



APPLICATION

Spring Loaded, self-closing safety gate kit for Double NA Gate SGDBPNA and SGDBRNA

COMPONENT SPECIFICATION

Material	Mild Steel 070M20 Q235B
Finish	Galvanised to BS EN ISO 1461 ASTM A53
Weight	4.79kg

Issue Date: 19/09/2017

Issue No: 3

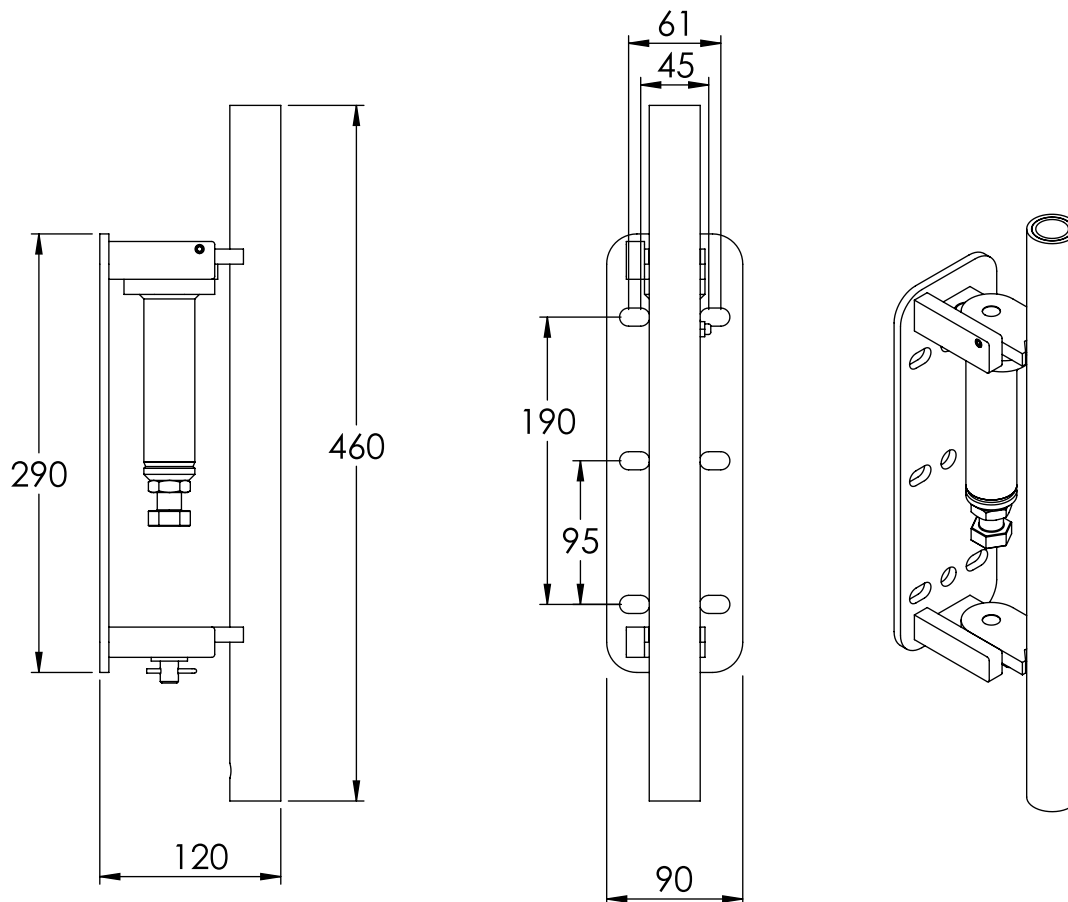
Technical Datasheet No: 0033

Kee Gate®

SAFETY GATE KIT FOR SGDBPNA LH

Part No: SGK-SGBRNA

Short Part No: SGK-SGBRNA



APPLICATION

Spring Loaded, self-closing safety gate kit for Double NA Gate SGDBPNA and SGDBRNA

COMPONENT SPECIFICATION

Material	Mild Steel 070M20 Q235B
Finish	Galvanised to BS EN ISO 1461 ASTM A53
Weight	4.79kg

Issue Date: 19/09/2017

Issue No: 3

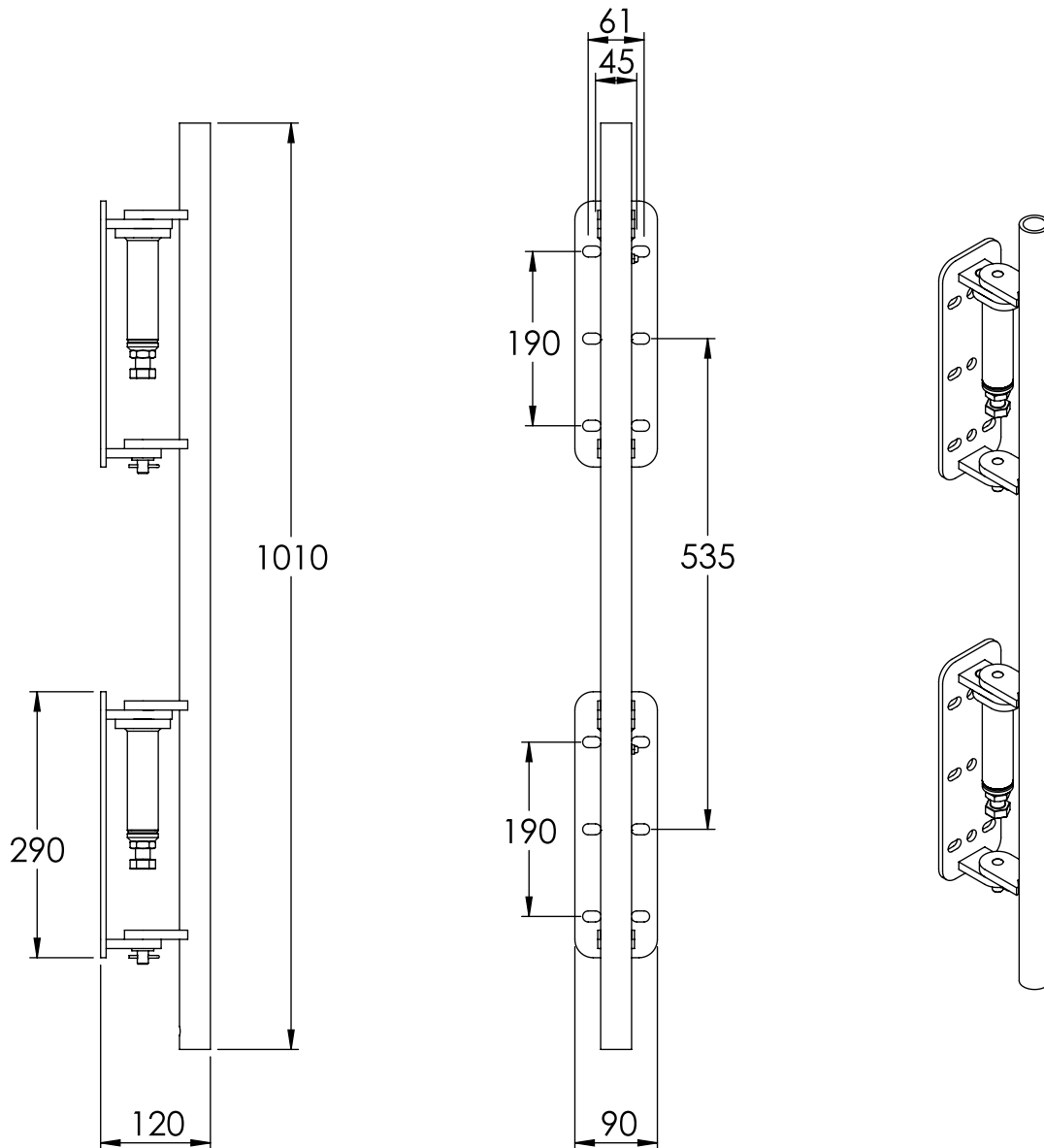
Technical Datasheet No: 0058

SAFETY GATE KIT FOR HEIGHT GATE SGEUFH1

Part No: SGK-SGEUFH1

Short Part No: SGK-SGEUFH1

Kee Gate®



APPLICATION

Spring Loaded, self-closing safety gate kit for Height Gate.

COMPONENT SPECIFICATION

Material	Mild Steel 070M20
Finish	Galvanised to BS EN ISO 1461 ASTM A53
Weight	8.50kg

Issue Date: 21/11/2017

Issue No: 1

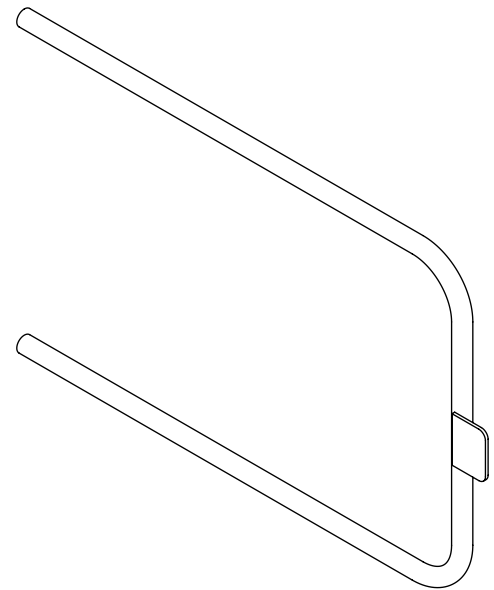
Technical Datasheet No: 0034

Kee Gate®

EN 14122 PT 3 'D' BEND WELDED ASSEMBLY - GALVANISED

Part No: SGAS601GV

Short Part No: SGAS601GV



APPLICATION

Galvanised SGEU600GV D-Bend welded assembly for Single EU Gate.

COMPONENT SPECIFICATION

Material	Ø 33,70mm x 3,2mm EN10255 SELF-COLOUR, Mild Steel Q235B
Finish	Galvanised to BS EN ISO 1461 ASTM A53
Weight	6.52kg

Issue Date: 20/07/2017

Issue No: 1

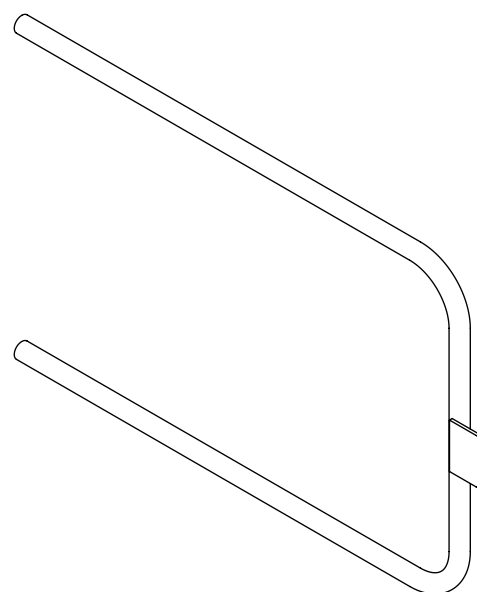
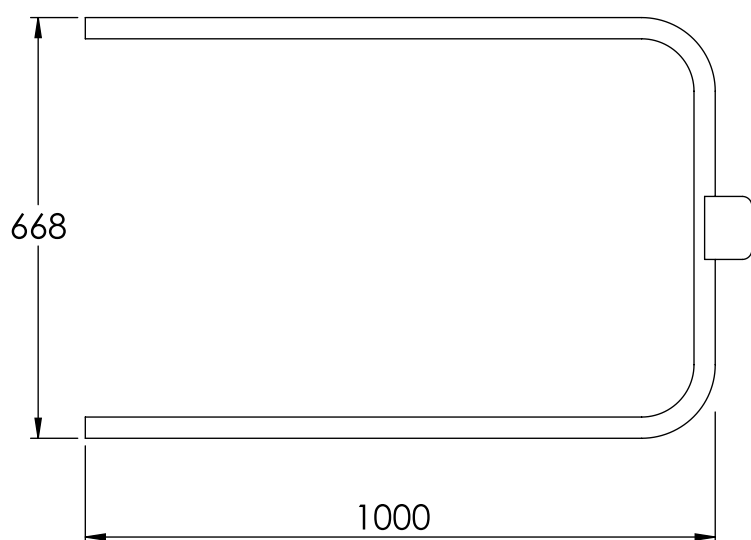
Technical Datasheet No: 0035

Kee Gate®

EN 14122 PT 3 'D' BEND WELDED ASSEMBLY - POWDER COATED

Part No: SGAS601PC

Short Part No: SGAS601PC



APPLICATION

Powder Coated SGEU600PC D-Bend welded assembly for Single EU Gate.

COMPONENT SPECIFICATION

Material	Ø 33,70mm x 3,2mm EN10255 SELF-COLOUR, Mild Steel Q235B
Finish	Powder Coated to EN 13438
Weight	6.52kg

Issue Date: 20/07/2017

Issue No: 1

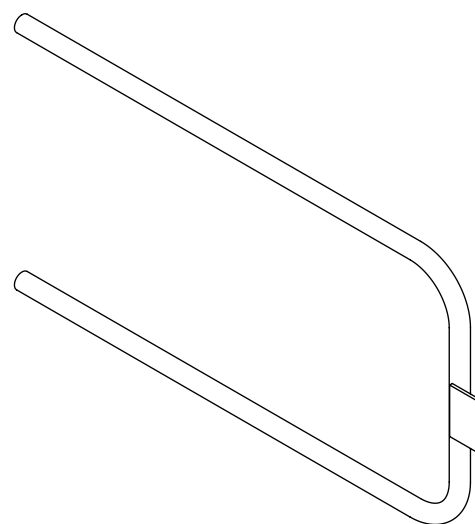
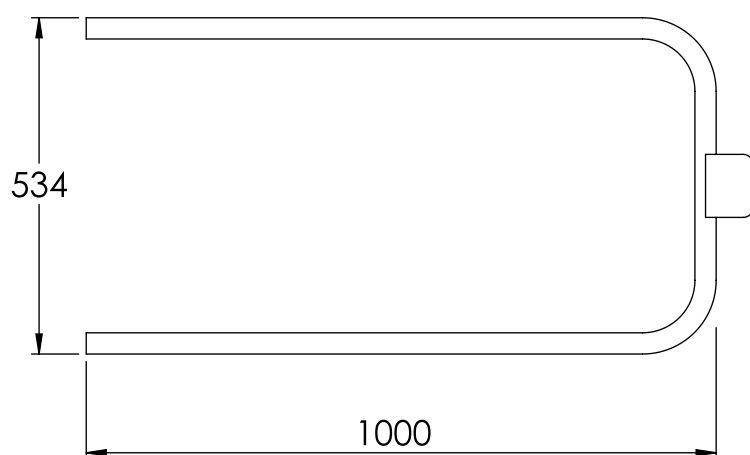
Technical Datasheet No: 0036

Kee Gate®

'D' BEND WELDED ASSEMBLY - GALVANISED

Part No: SGAS001GV

Short Part No: SGAS001GV



APPLICATION

Galvanised D-Bend welded assembly for SGNA500GV Single US Gate.

COMPONENT SPECIFICATION

Material	Ø 33,70mm x 3,2mm EN10255 SELF-COLOUR, Mild Steel Q235B
Finish	Galvanised to BS EN ISO 1461 ASTM A53
Weight	6.05kg

Issue Date: 20/07/2017

Issue No: 1

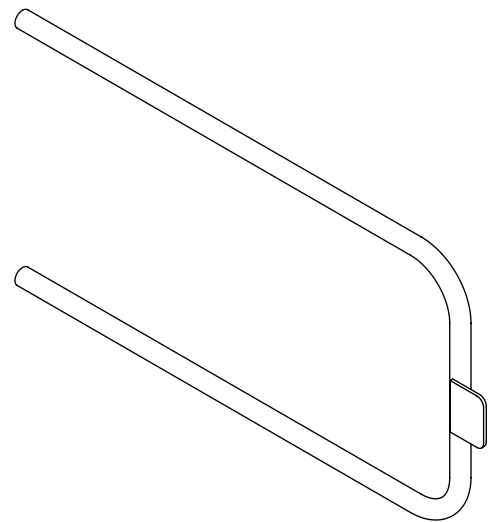
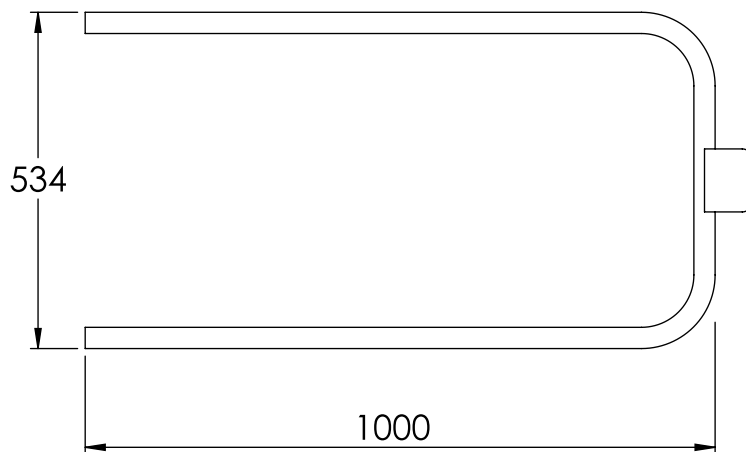
Technical Datasheet No: 0037

Kee Gate®

'D' BEND WELDED ASSEMBLY - POWDER COATED

Part No: SGAS001PC

Short Part No: SGAS001PC



APPLICATION

Powder Coated D-Bend welded assembly for SGNA500PC Single US Gate.

COMPONENT SPECIFICATION

Material	Ø 33,70mm x 3,2mm EN10255 SELF-COLOUR, Mild Steel Q235B
Finish	Powder Coated to EN 13438
Weight	6.05kg

Issue Date: 20/07/2017

Issue No: 1

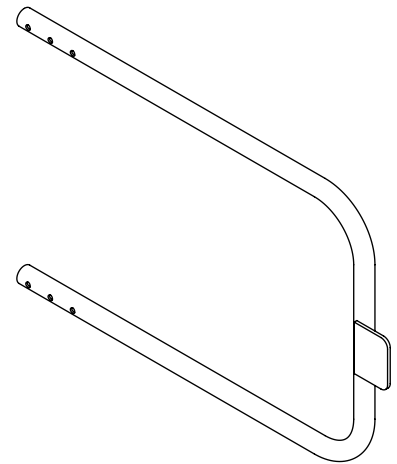
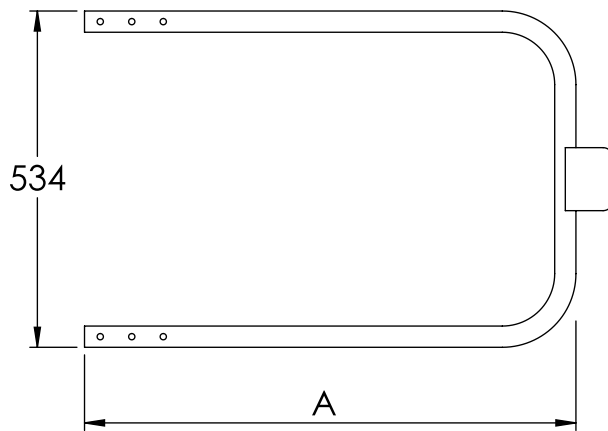
Technical Datasheet No: 0038

US WELDED D-BEND ASSEMBLY - GALVANISED

Part No: SGAS008GV

Short Part No: SGAS008GV

Kee Gate®



GATE	'A'	PART NUMBER
18"	320	SGAS008GVA
21"	400	SGAS008GVB
24"	475	SGAS008GVC
27"	550	SGAS008GVD
30"	628	SGAS008GVE
33"	705	SGAS008GVF
36"	780	SGAS008GVG
40"	880	SGAS008GVH
48"	1085	SGAS008GVJ

APPLICATION

Galvanised D-Bend welded assembly for SGA005GV Single US Gate.

COMPONENT SPECIFICATION

Material	Ø 33,70mm x 3,2mm EN10255 SELF-COLOUR, Mild Steel Q235B
Finish	Galvanised steel to ASTM A53
Weight	2.77kg - 6.43kg

Issue Date: 20/07/2017

Issue No: 1

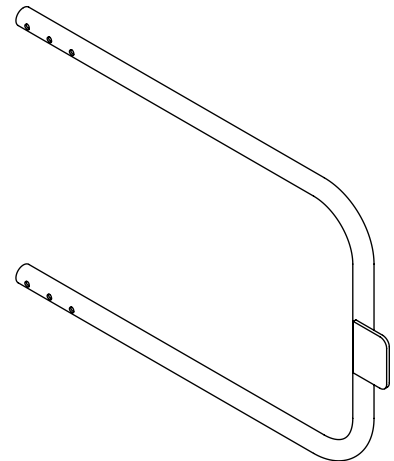
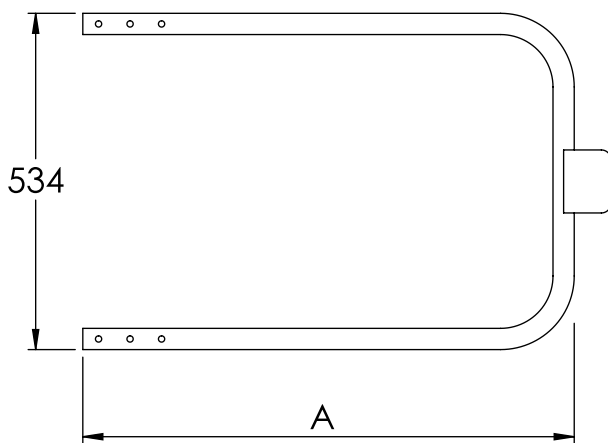
Technical Datasheet No: 0039

US WELDED D-BEND ASSEMBLY - POWDER COATED

Part No: SGAS005PC

Short Part No: SGAS005PC

Kee Gate®



GATE	'A'	PART NUMBER
18"	320	SGAS005PCA
21"	400	SGAS005PCB
24"	475	SGAS005PCC
27"	550	SGAS005PCD
30"	628	SGAS005PCE
33"	705	SGAS005PCF
36"	780	SGAS005PCG
40"	880	SGAS005PCH
48"	1085	SGAS005PCJ

APPLICATION

Powder Coated D-Bend welded assembly for SGA005PC Single US Gate.

COMPONENT SPECIFICATION

Material	Ø 33,70mm x 3,2mm EN10255 SELF-COLOUR, Mild Steel Q235B
Finish	Powder Coated USA - AAMA 2603-2605
Weight	2.77kg - 6.43kg

Issue Date: 20/07/2017

Issue No: 1

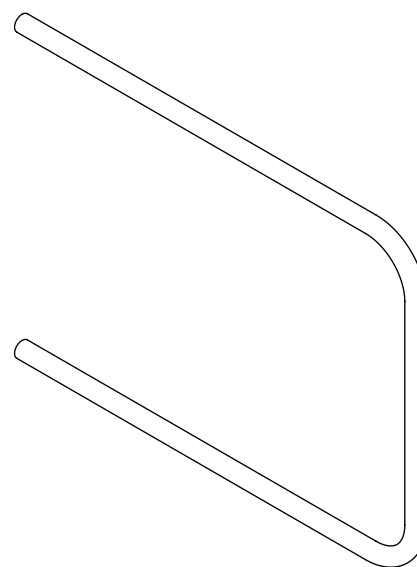
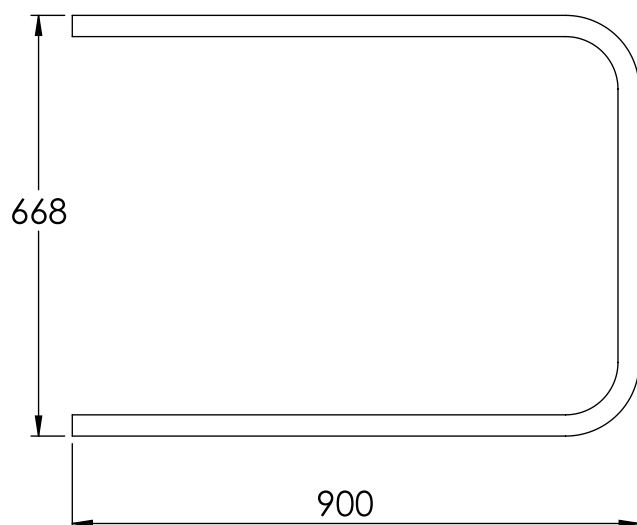
Technical Datasheet No: 0040

SGAS616GV DOUBLE SAFETY GATE D-BEND

Part No: SGAS616GV

Short Part No: SGAS616GV

Kee Gate[®]



APPLICATION

Galvanised D-Bend welded assembly for SGEUDP2GV Double EU Gate.

COMPONENT SPECIFICATION

Material	Ø 33,70mm x 3,2mm EN10255 SELF-COLOUR
Finish	Galvanised to BS EN ISO 1461 ASTM A53
Weight	5.68kg

Issue Date: 20/07/2017

Issue No: 1

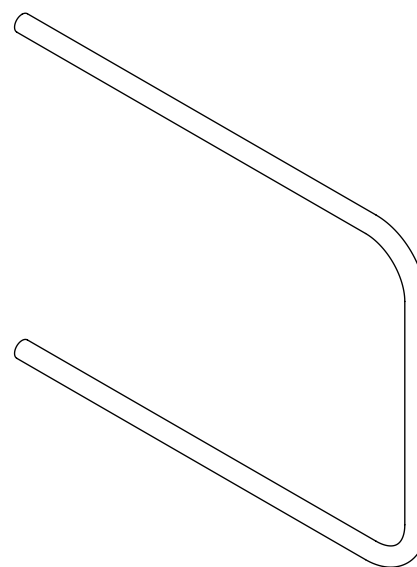
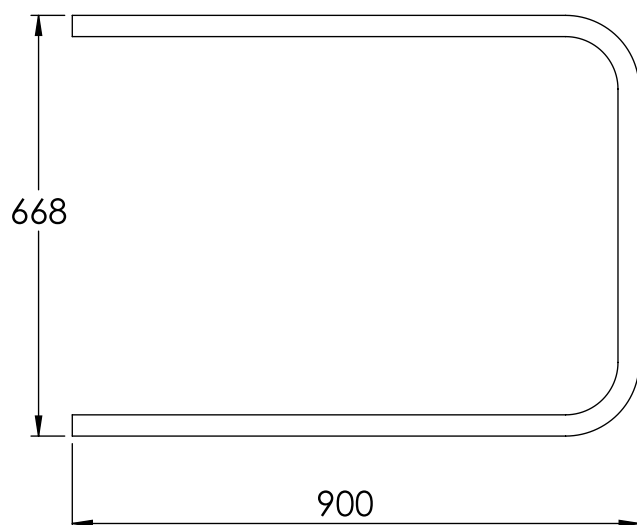
Technical Datasheet No: 0041

SGAS616PC DOUBLE SAFETY GATE D-BEND

Part No: SGAS616PC

Short Part No: SGAS616PC

Kee Gate®



APPLICATION

Powder Coated D-Bend welded assembly for SGEUDP2PC Double EU Gate.

COMPONENT SPECIFICATION

Material	Ø 33,70mm x 3,2mm EN10255 SELF-COLOUR
Finish	Powder Coated to EN 13438
Weight	5.68kg

Issue Date: 20/07/2017

Issue No: 1

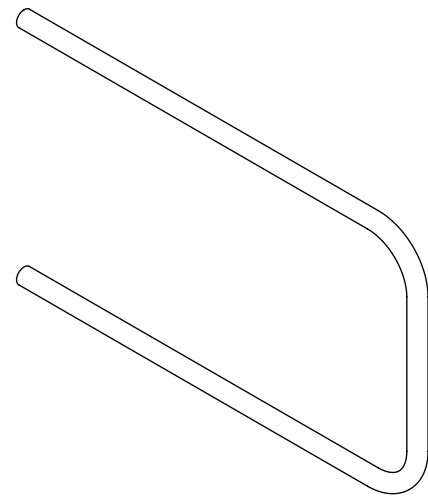
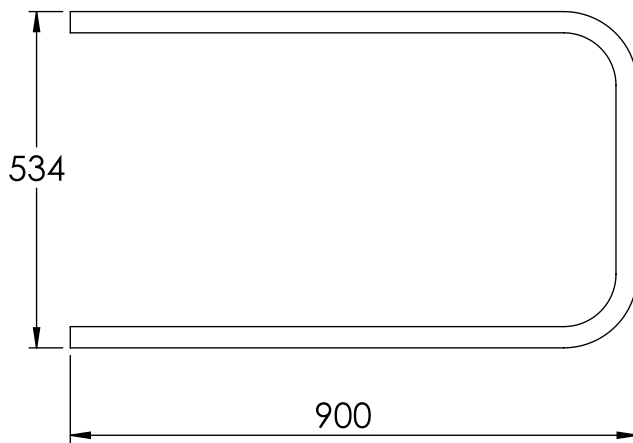
Technical Datasheet No: 0042

DOUBLE GATE "D" - BEND ASSEMBLY GALVANISED

Part No: SGAS016GV

Short Part No: SGAS016GV

Kee Gate®



APPLICATION

Galvanised D-Bend welded assembly for SGBPNAGV Double NA Gate.

COMPONENT SPECIFICATION

Material	Ø 33,70mm x 3,2mm EN10255 SELF-COLOUR
Finish	Galvanised steel to ASTM A53
Weight	5.35kg

Issue Date: 20/07/2017

Issue No: 1

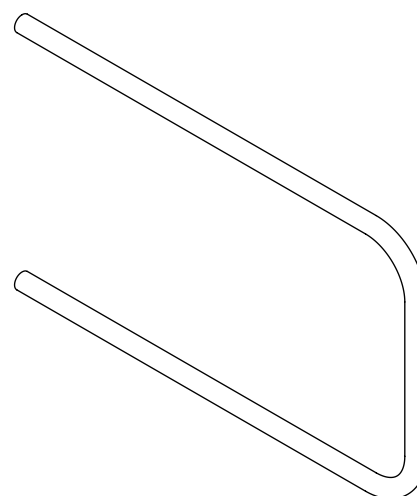
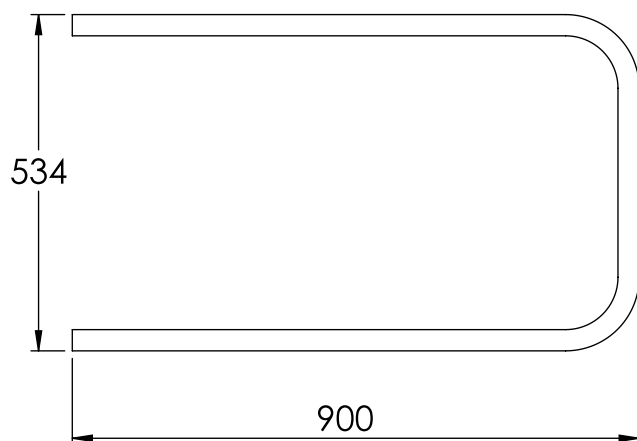
Technical Datasheet No: 0043

Kee Gate®

DOUBLE GATE "D" - BEND ASSEMBLY POWDER COATED

Part No: SGAS009PC

Short Part No: SGAS009PC



APPLICATION

Powder Coated D-Bend welded assembly for SGBPNAPC Double NA Gate.

COMPONENT SPECIFICATION

Material	Ø 33,70mm x 3,2mm EN10255 SELF-COLOUR
Finish	Powder Coated USA - AAMA 2603-2605
Weight	5.35kg

Issue Date: 20/07/2017

Issue No: 1

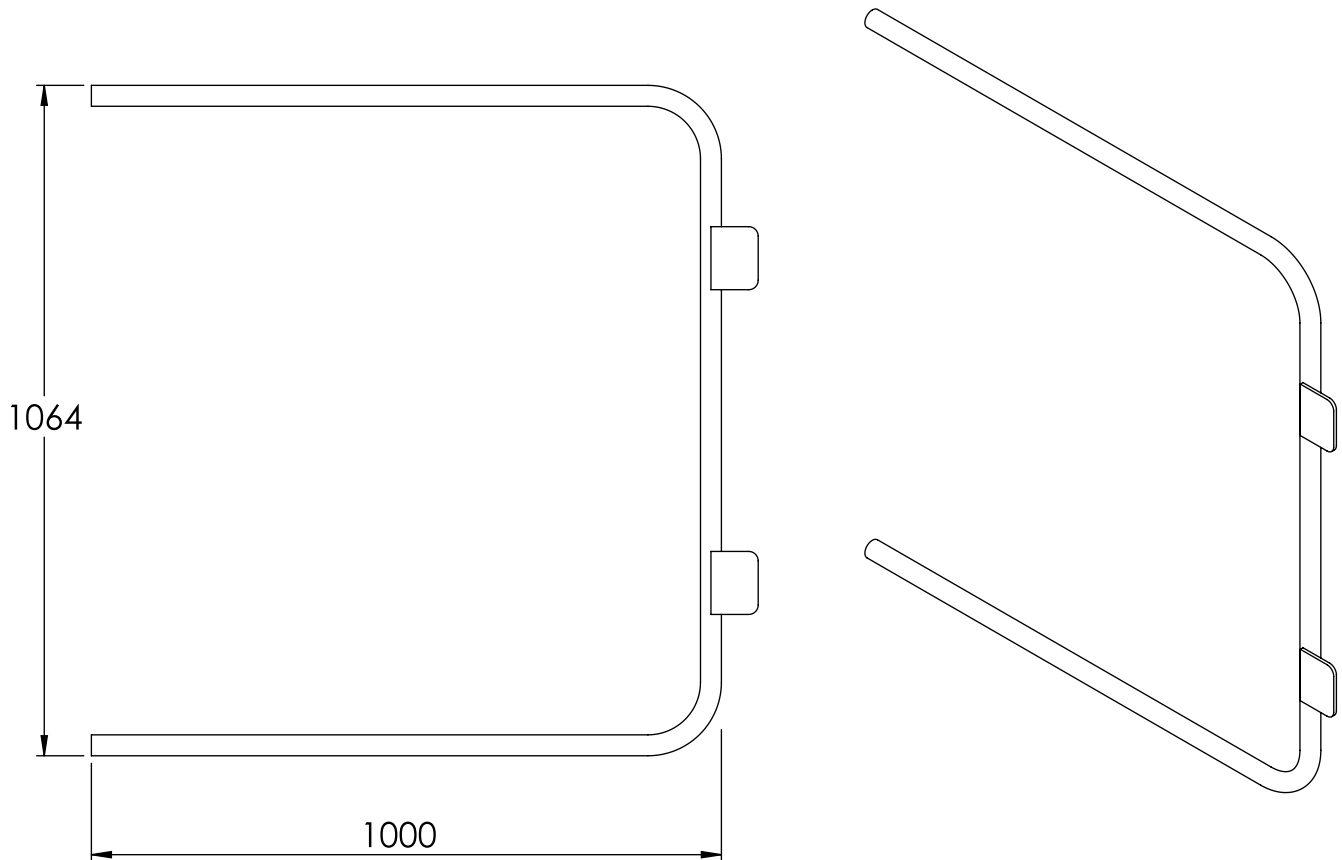
Technical Datasheet No: 0059

Kee Gate®

FULL HEIGHT GATE 3 'D' BEND WELDED ASSEMBLY - GALVANISED

Part No: SGAS018GV

Short Part No: SGAS018GV



APPLICATION

Galvanised D-Bend welded assembly for Full Height EU Gate.

COMPONENT SPECIFICATION

Material	Ø 33,20mm x 3,2mm EN10255 SELF-COLOUR, Mild Steel Q235B
Finish	Galvanising Refer to SIC 109
Weight	7.74kg

Issue Date: 21/11/2017

Issue No: 1

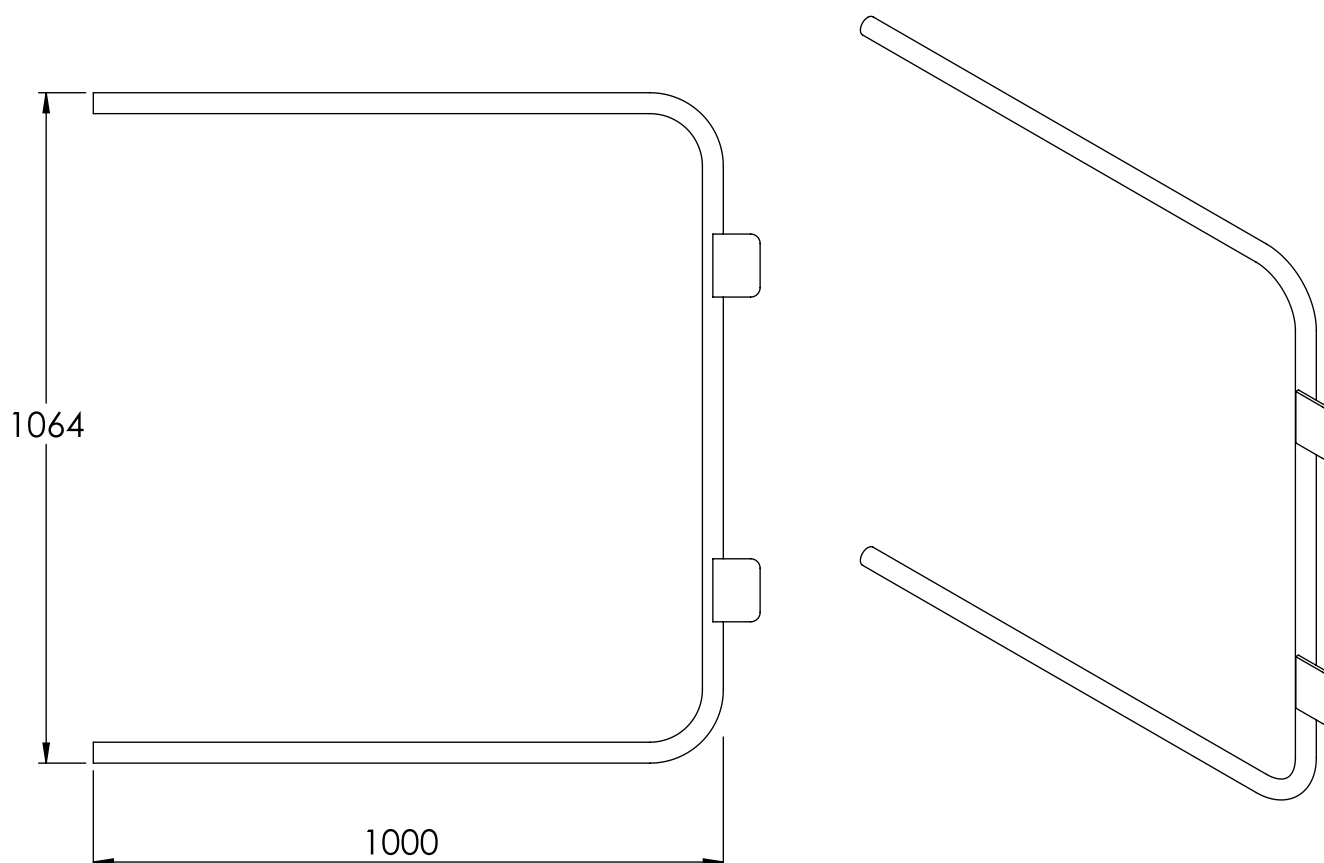
Technical Datasheet No: 0060

Kee Gate®

FULL HEIGHT GATE 'D' BEND WELDED ASSEMBLY - POWDER COATED

Part No: SGAS010PC

Short Part No: SGAS010PC



APPLICATION

Powder Coated D-Bend welded assembly for Full Height EU Gate.

COMPONENT SPECIFICATION

Material	Ø 33,20mm x 3,2mm EN10255 SELF-COLOUR, Mild Steel Q235B
Finish	Galvanising Refer to SIC 109
Weight	7.74kg

Issue Date: 20/07/2017

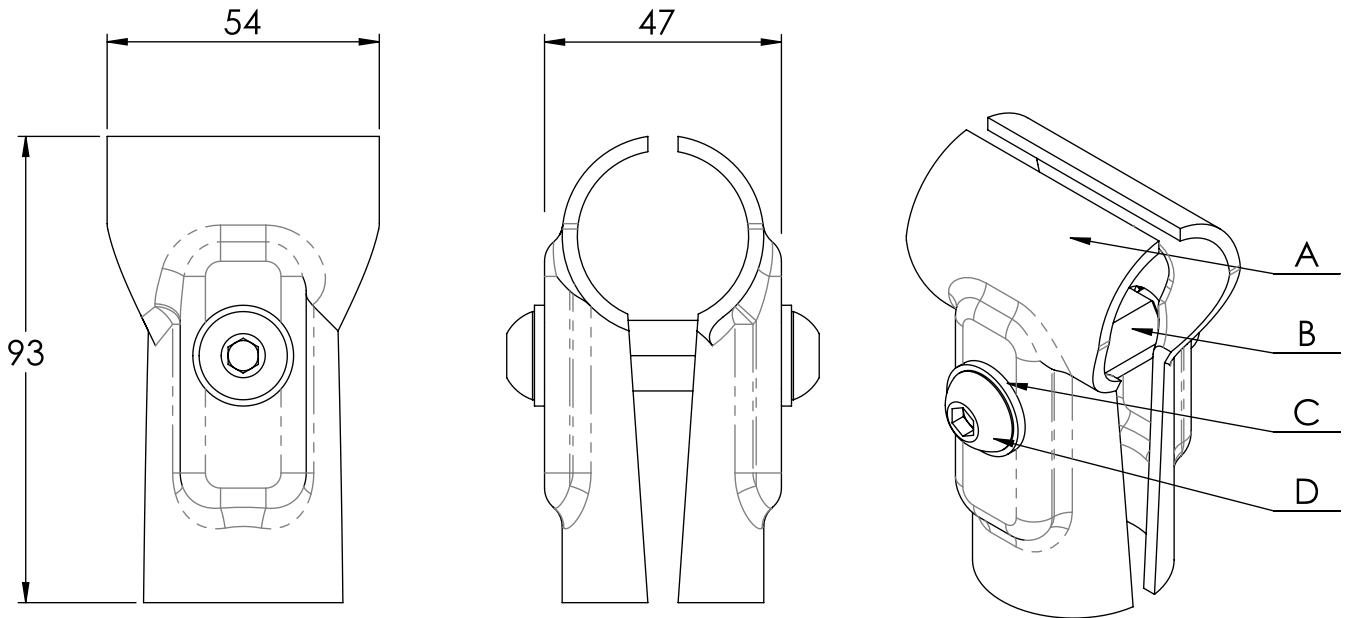
Issue No: 1

Technical Datasheet No: 0044

H.D.G. SPLIT CLAMP TYPE 2101866 C/W SS BUTTON HEAD SCREWS,
COUPLER NUT & TOOTHED WASHERS

Part No: MIDDLE TUBE FIXING PACK

Short Part No: MIDDLE TUBE FIXING PACK



ITEM NO.	PART NO.	DESCRIPTION	QTY.
A	SGTCLAMP25	BUIKLEM H.D.G. SPLIT CLAMP TYPE 2101866	2
B	M1030CNSSA4	M10 HEX COUPLER	1
C	M10SPWSSA4	M10 INTERNAL TOOTHED WASHER DIN 6797 J	2
D	M1020DHBSSA4	M10x20 BUTTON HEAD SCREW ISO 7380	2

APPLICATION

Fixing pack for middle tube - EU gate SGEU600GV. 2 Sets per gate required.

COMPONENT SPECIFICATION

Material	Mild Steel
Finish	Galvanised to BS EN ISO 1461 ASTM A53, HDG
Weight	0.31kg

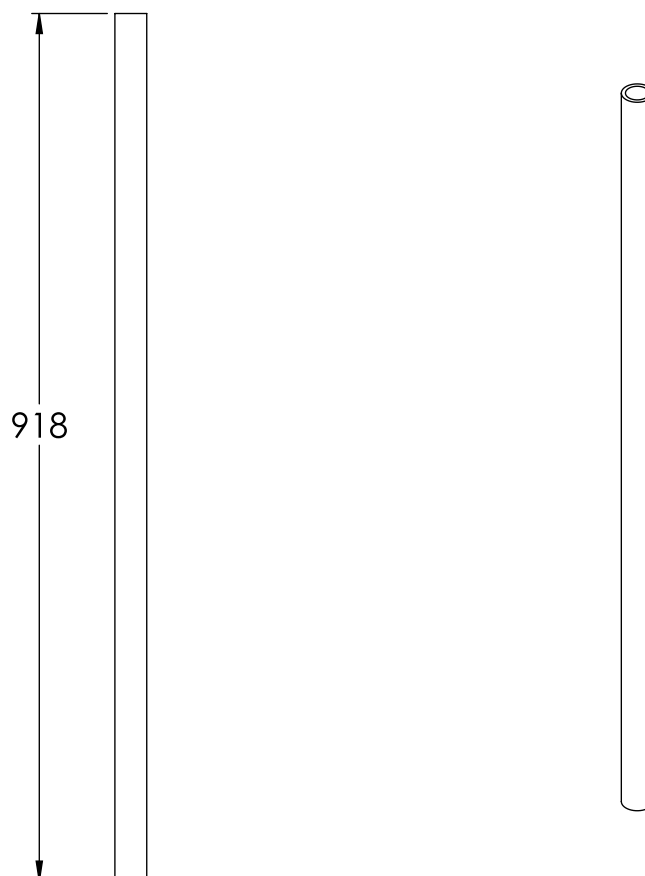
Technical Datasheet No: 0045

Kee Gate®

CUT TUBE ϕ 33,7 x EN10255 @ 918,0

Part No: SGEUMIDGV

Short Part No: SGEUMIDGV



APPLICATION

Galvanised middle tube for SGEUDP2GV single EU gate.

COMPONENT SPECIFICATION

Material	ϕ 33,70mm x 3,2mm EN10255 SELF-COLOUR
Finish	Galvanised to BS EN ISO 1461 ASTM A53
Weight	2.87kg

Issue Date: 20/07/2017

Issue No: 1

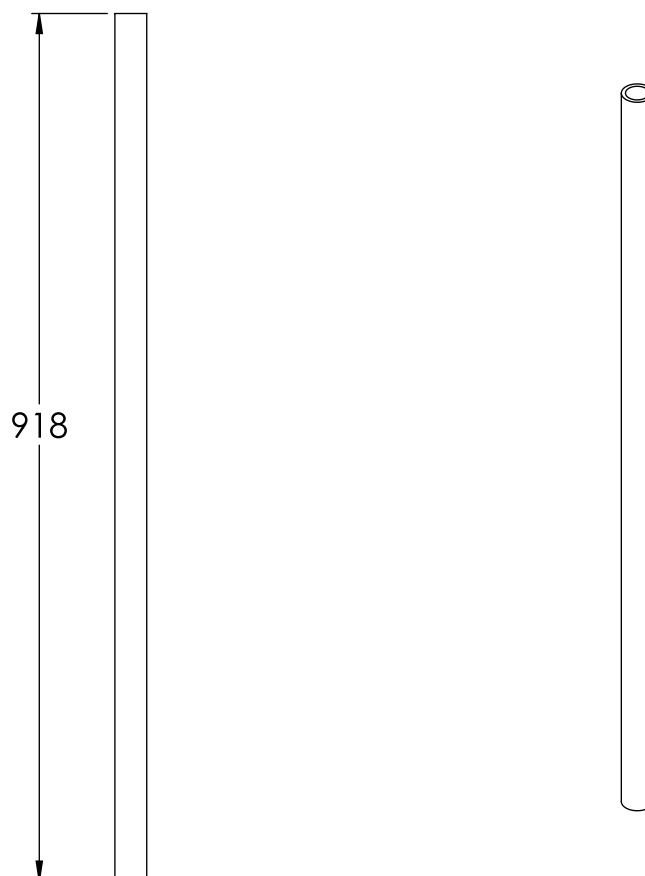
Technical Datasheet No: 0046

Kee Gate®

CUT TUBE ϕ 33,7 x EN10255 @ 918,0

Part No: SGEUMIDPC

Short Part No: SGEUMIDPC



APPLICATION

Powder Coated middle tube for SGEUDP2PC single EU gate.

COMPONENT SPECIFICATION

Material	ϕ 33,70mm x 3,2mm EN10255 SELF-COLOUR
Finish	Powder Coated to EN 13438
Weight	2.87kg

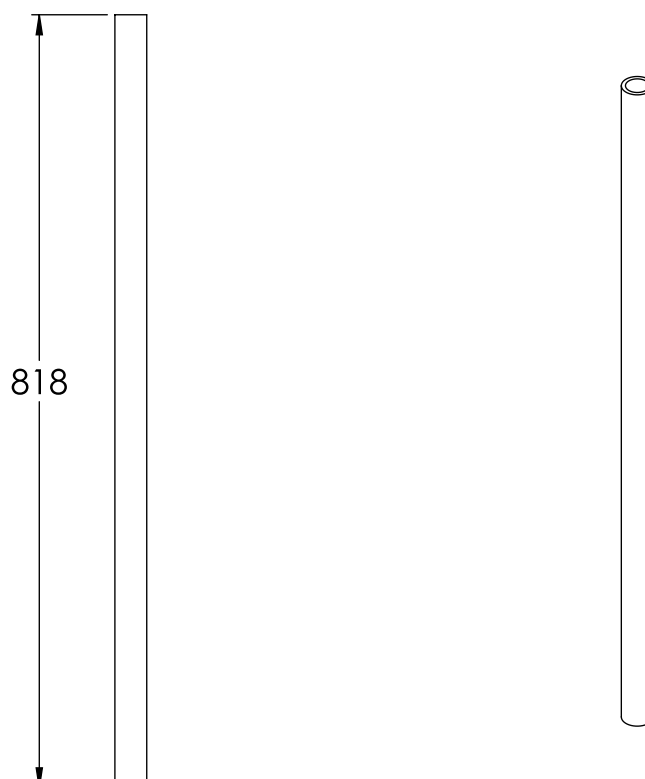
Technical Datasheet No: 0047

Kee Gate®

CUT TUBE ϕ 33,7 x 3,2 EN10255 @ 818,0 GALVANISED

Part No: SGEUMDDGV

Short Part No: SGEUMDDGV



APPLICATION

Galvanised middle tube for SGEUDP2GV single EU gate.

COMPONENT SPECIFICATION

Material	ϕ 33,70mm x 3,2mm EN10255 SELF-COLOUR
Finish	Galvanised to BS EN ISO 1461 ASTM A53
Weight	2.56kg

Issue Date: 20/07/2017

Issue No: 1

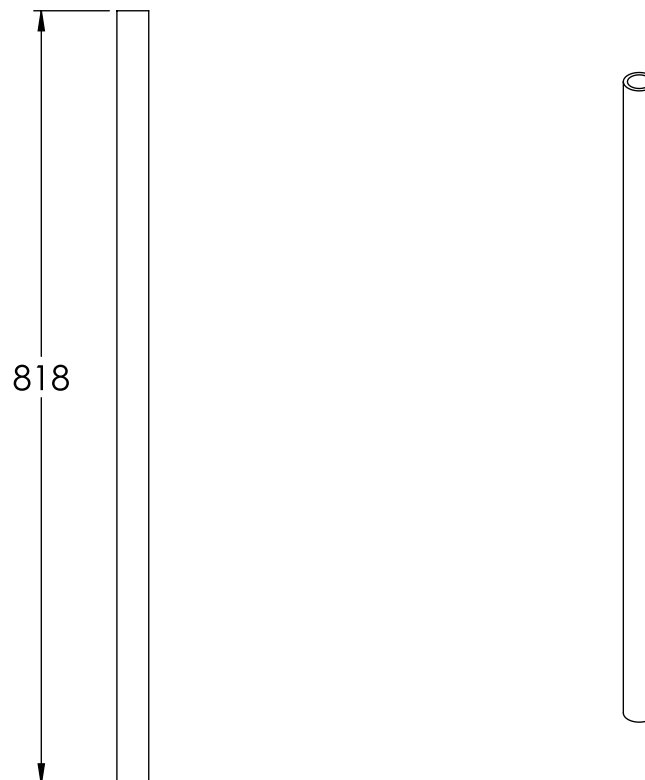
Technical Datasheet No: 0048

Kee Gate®

CUT TUBE ϕ 33,7 x 3,2 EN10255 @ 818,0 GALVANISED

Part No: SGEUMDDGV

Short Part No: SGEUMDDGV



APPLICATION

Galvanised middle tube for SGEUDP2GV single EU gate.

COMPONENT SPECIFICATION

Material	ϕ 33,70mm x 3,2mm EN10255 SELF-COLOUR
Finish	Galvanised to BS EN ISO 1461 ASTM A53
Weight	2.56kg

Issue Date: 20/07/2017

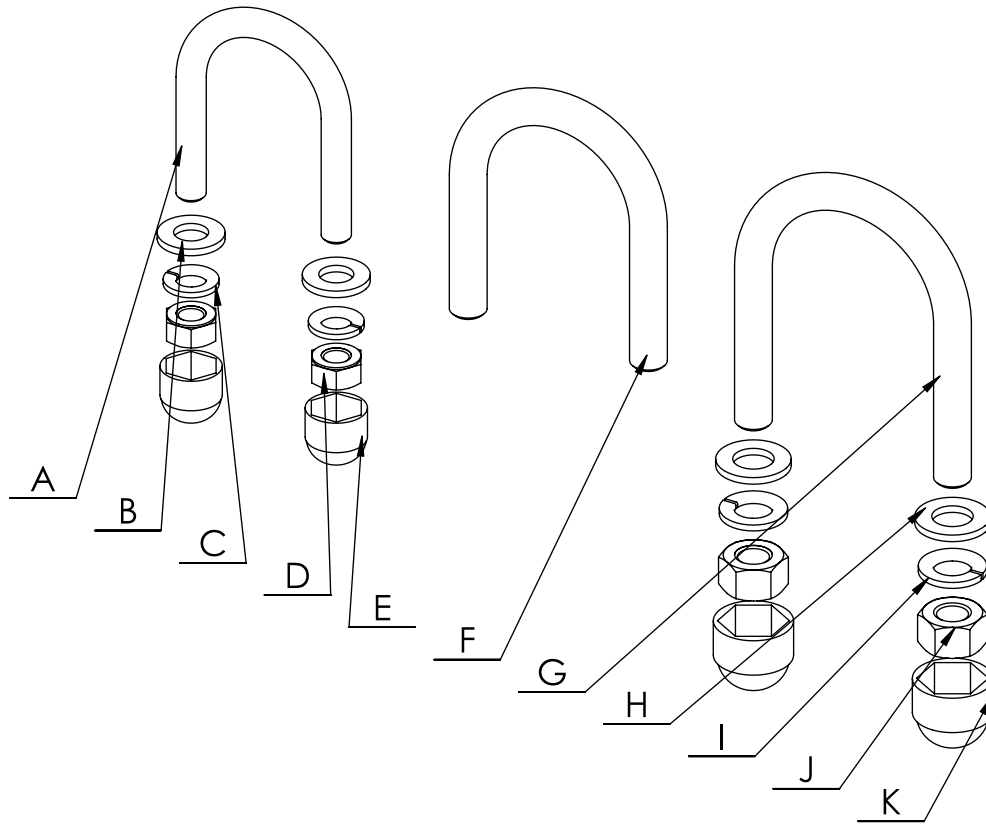
Issue No: 1

Technical Datasheet No: 0049

SAFETY GATE EUROPEAN FIXING PACK 1

Part No: SGEUFXP1

Short Part No: SGEUFXP1



ITEM NO.	DESCRIPTION	QTY.
A	M8 U BOLT FOR SIZE 6 TUBE	2
B	M8 HDG FLAT WASHER	4
C	M8 HDG SPRING WASHER	4
D	M8 HDG FULL NUT	4
E	M8 NUT CAP	4
F	M10 U BOLT FOR SIZE 7 TUBE	2
H	M10 HDG FLAT WASHER	4
G	M10 U BOLT FOR SIZE 8 TUBE	2
I	M10 HDG SPRING WASHER	4
J	M10 HDG FULL NUT	4
K	M10 NUT CAP	4

APPLICATION

Supplied for the European market to fit posts 33.7mm, 42.4mm and 48.3 mm diameter. Fixing pack contains 3No U Bolts for each size complete with M8 and M10 nuts and washers.

COMPONENT SPECIFICATION

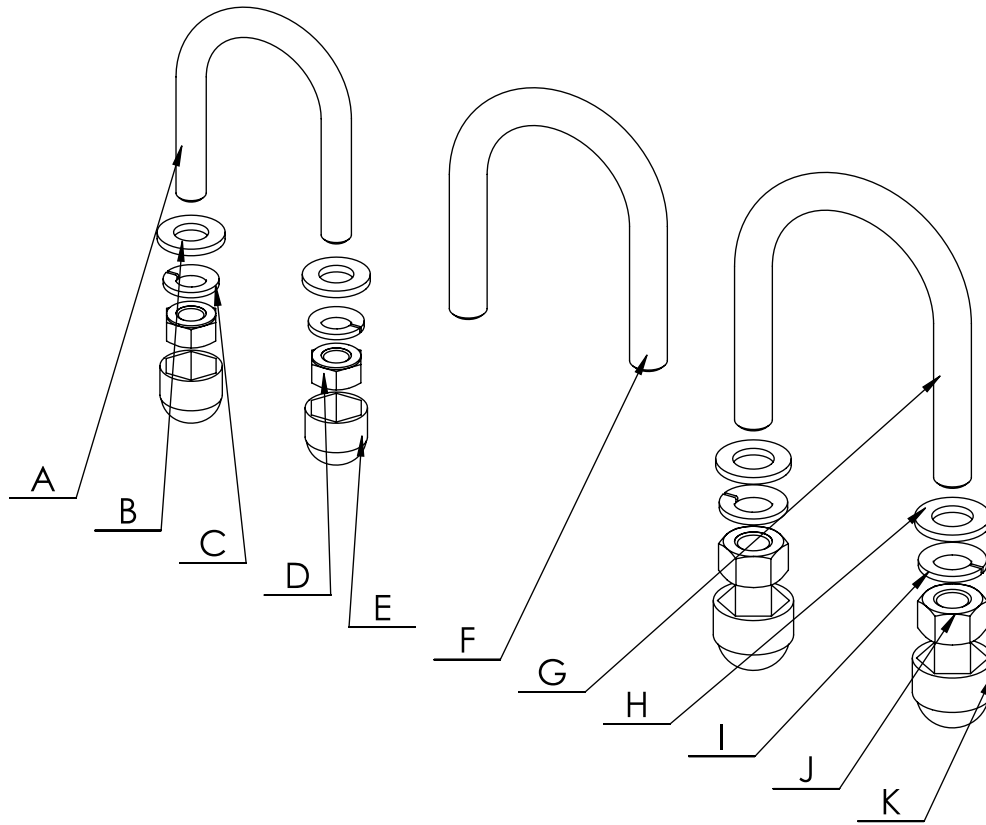
Material	Mild Steel Q235B
Finish	Galvanised steel to BS EN ISO 1461
Weight	0,864kg (1lb 14oz)

Technical Datasheet No: 0050

DOUBLE SAFETY GATE EUROPEAN FIXING PACK 1

Part No: SGEUFXPK2

Short Part No: SGEUFXPK2



ITEM NO.	DESCRIPTION	QTY.
A	M8 U BOLT FOR SIZE 6 TUBE	3
B	M8 HDG FLAT WASHER	6
C	M8 HDG SPRING WASHER	6
D	M8 HDG FULL NUT	6
E	M8 NUT CAP	6
F	M10 U BOLT FOR SIZE 7 TUBE	3
H	M10 HDG FLAT WASHER	6
G	M10 U BOLT FOR SIZE 8 TUBE	3
I	M10 HDG SPRING WASHER	6
J	M10 HDG FULL NUT	6
K	M10 NUT CAP	6

APPLICATION

Supplied for the European market to fit posts 33.7mm, 42.4mm and 48.3 mm diameter. Fixing pack contains 3No U Bolts for each size complete with M8 and M10 nuts and washers.

COMPONENT SPECIFICATION

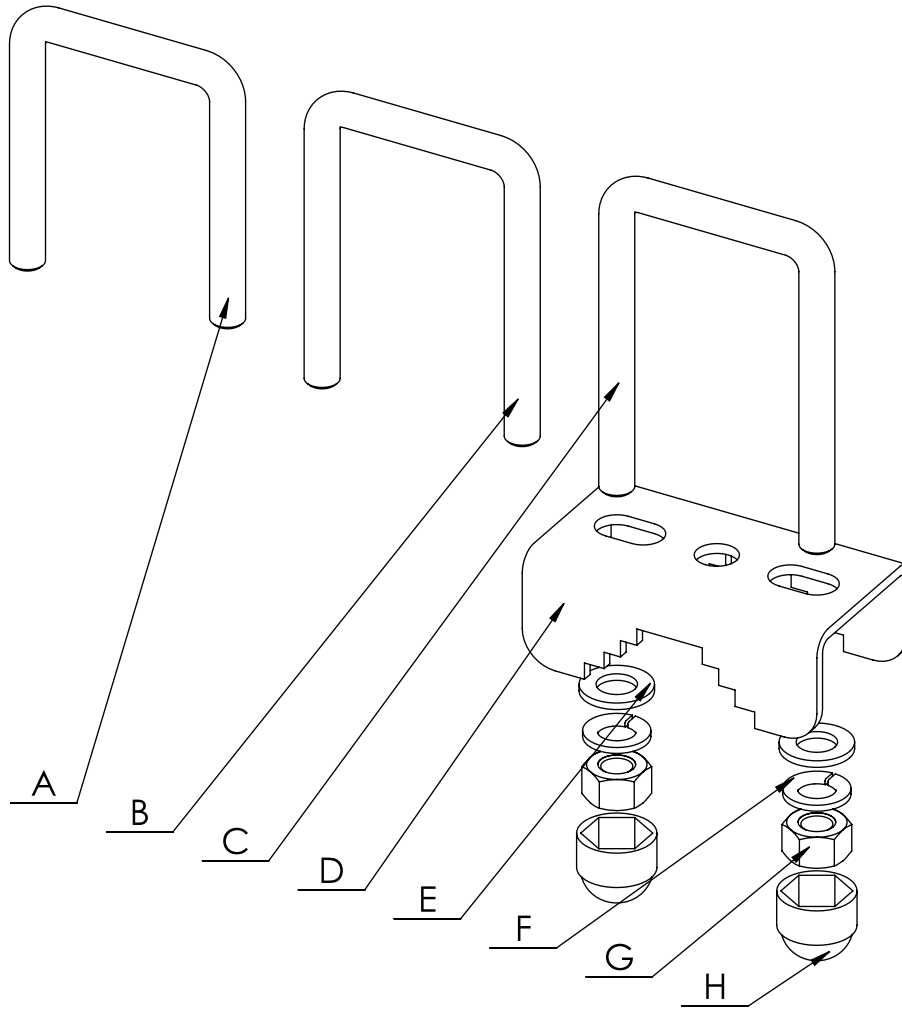
Material	Mild Steel Q235B
Finish	Galvanised steel to BS EN ISO 1461
Weight	1,3kg (2lb 14oz)

Technical Datasheet No: 0051

SAFETY GATE NORTH AMERICAN FIXING PACK 1

Part No: SGNAFXPK1

Short Part No: SGNAFXPK1



ITEM NO.	DESCRIPTION	QTY.
A	3/8" C BOLT FOR SIZE 6 TUBE	2
B	3/8" C BOLT FOR SIZE 7 TUBE	2
C	3/8" C BOLT FOR SIZE 8 TUBE	2
D	SAFETY CLAMP - GALVANISED	2
E	3/8" HDG FLAT WASHER	4
F	3/8" HDG SPRING WASHER	4
G	3/8" HDG FULL NUT	4
H	3/8" NUT CAP	4

APPLICATION

Supplied for the USA market to fit posts 1.0", 1.25" and 1.5" diameter. Fixing pack contains 3No U Bolts for each size complete with 0.3125" and 0.375" nuts and washers.

COMPONENT SPECIFICATION

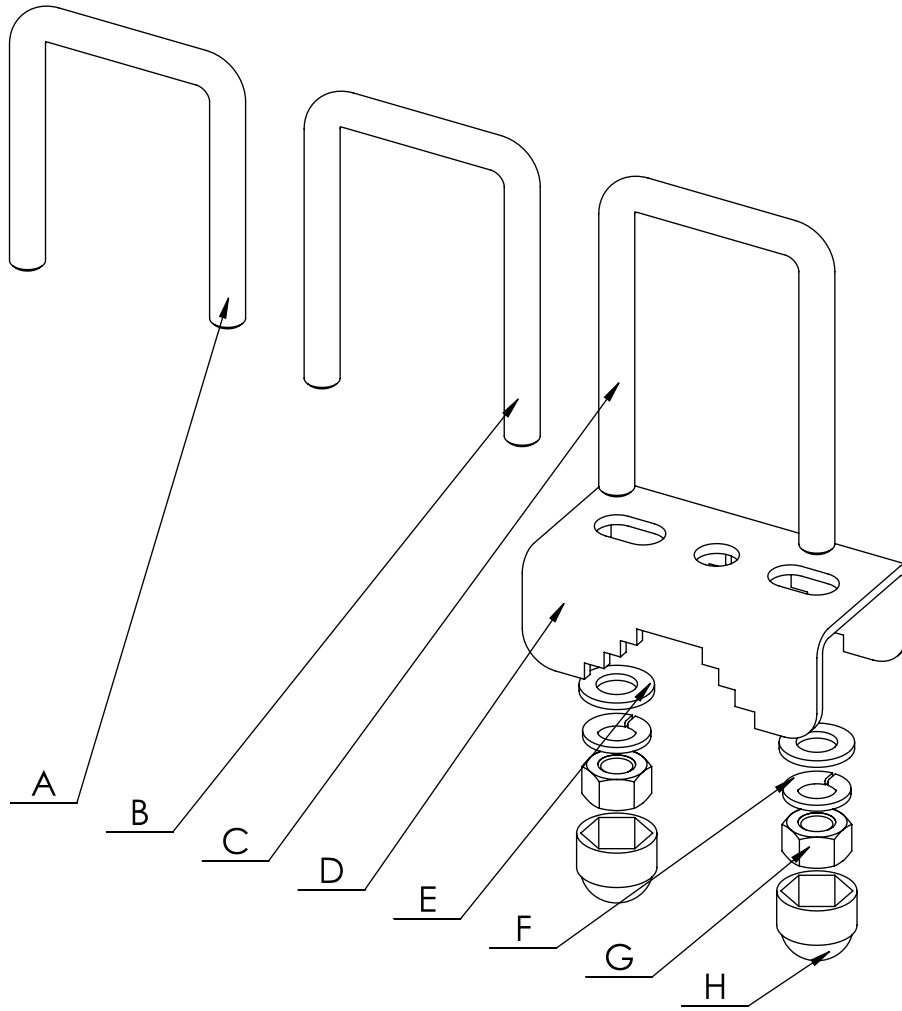
Material	Mild Steel Q235B
Finish	Galvanised steel to ASTM A53
Weight	2,16kg (4lb 12oz)

Technical Datasheet No: 0052

DOUBLE SAFETY GATE NORTH AMERICAN FIXING PACK 1

Part No: SGNAFXPK2

Short Part No: SGNAFXPK2



ITEM NO.	DESCRIPTION	QTY.
A	3/8" C BOLT FOR SIZE 6 TUBE	3
B	3/8" C BOLT FOR SIZE 7 TUBE	3
C	3/8" C BOLT FOR SIZE 8 TUBE	3
D	SAFETY CLAMP - GALVANISED	3
E	3/8" HDG FLAT WASHER	6
F	3/8" HDG SPRING WASHER	6
G	3/8" HDG FULL NUT	6
H	3/8" NUT CAP	6

APPLICATION

Supplied for the USA market to fit posts 1.0", 1.25" and 1.5" diameter. Fixing pack contains 3No U Bolts for each size complete with 0.3125" and 0.375" nuts and washers.

COMPONENT SPECIFICATION

Material	Mild Steel Q235B
Finish	Galvanised steel to ASTM A53
Weight	1,44kg (3lb 3oz)

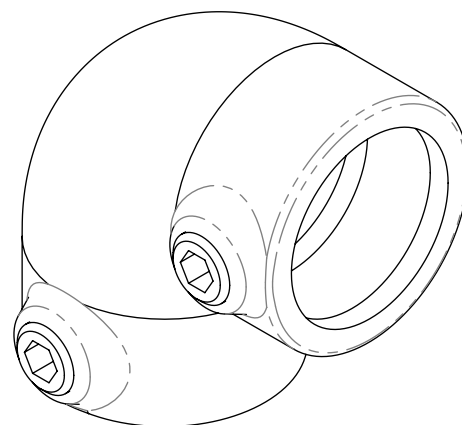
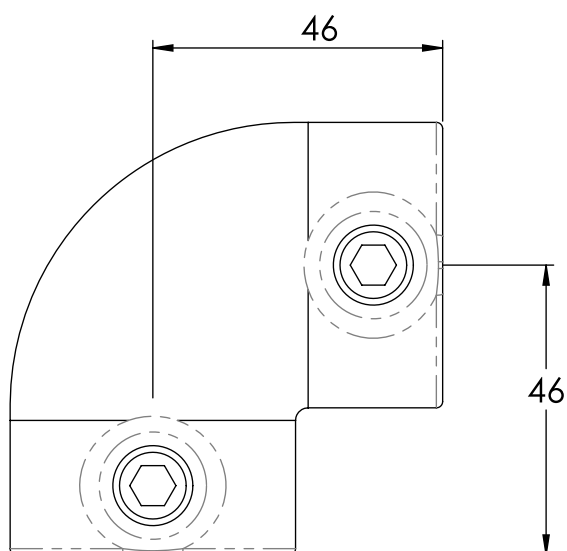
Technical Datasheet No: 0053

15-6 90° ELBOW

Part No: 001560010

Short Part No: 15-6

Kee Gate®



APPLICATION

This provides the means of dealing with corners and changes in level.

COMPONENT SPECIFICATION

Material	MALLEABLE CAST IRON TO KKMS/0100
Finish	Galvanised to BS EN ISO 1461
Weight	0.36kg

Issue Date: 20/07/2017

Issue No: 1

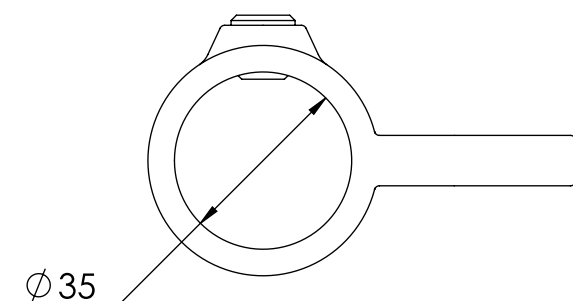
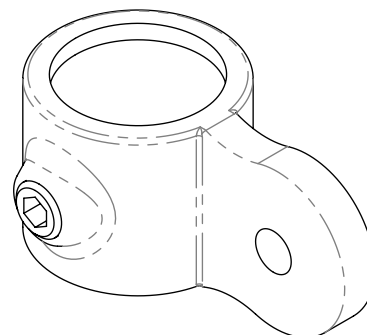
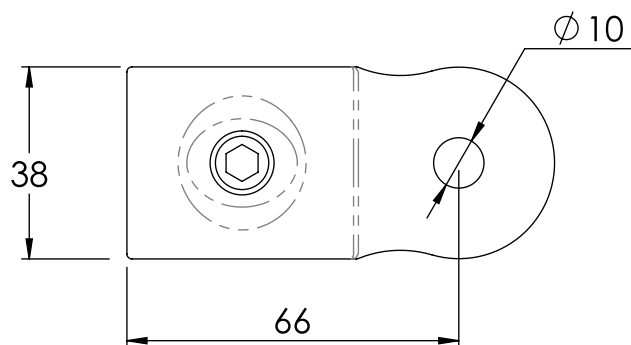
Technical Datasheet No: 0000

M50-6 MALE SINGLE SWIVEL SOCKET MEMBER

Part No: M05060010

Short Part No: M50-6

Kee Gate[®]



APPLICATION

Used to fix toeboard to the bottom of the full height gate.

COMPONENT SPECIFICATION

Material	MALLEABLE CAST IRON TO KKMS/0100
Finish	Galvanised to BS EN ISO 1461
Weight	0.27kg

Issue Date: 21/09/2017

Issue No: 1

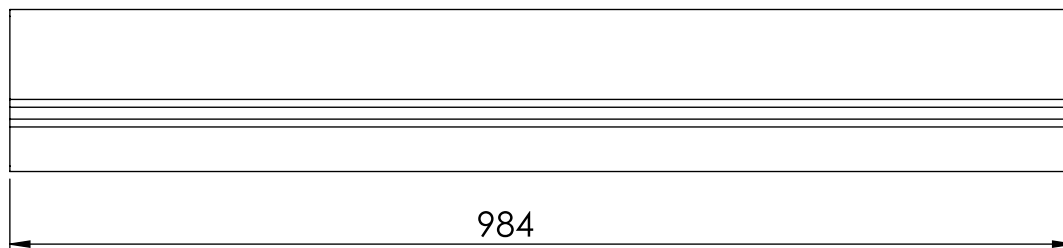
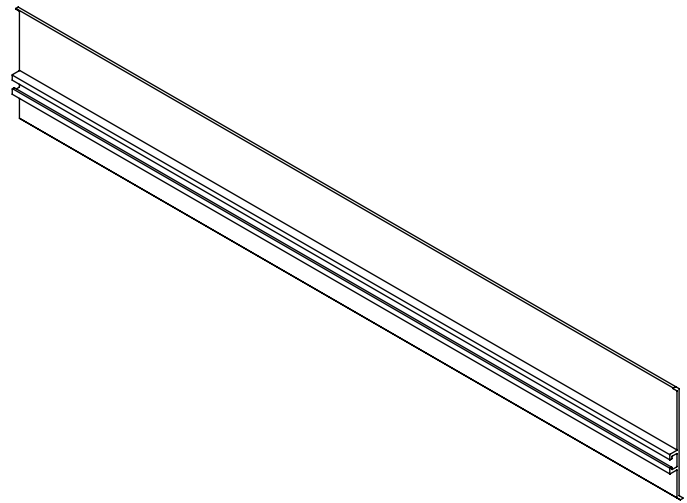
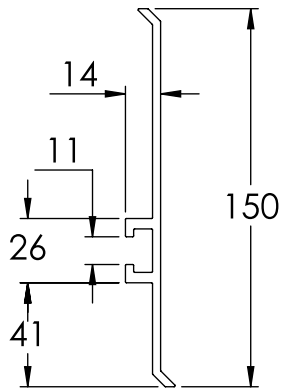
Technical Datasheet No: 0061

Kee Gate®

EUROPEAN FULL HEIGHT GATE TOEBOARD

Part No: SGSD037AL

Short Part No: SGSD037AL



APPLICATION

Toeboard is required on a railing whenever it would be potentially hazardous for an object to fall from the edge. A channel in the Toeboard accepts the bolt head of the mounting hardware, allowing ease of placement. It can be supplied anodised if required.

COMPONENT SPECIFICATION

Material	ALUMINIUM ALLOY 6063-T6
Finish	Natural
Weight	1,63/M

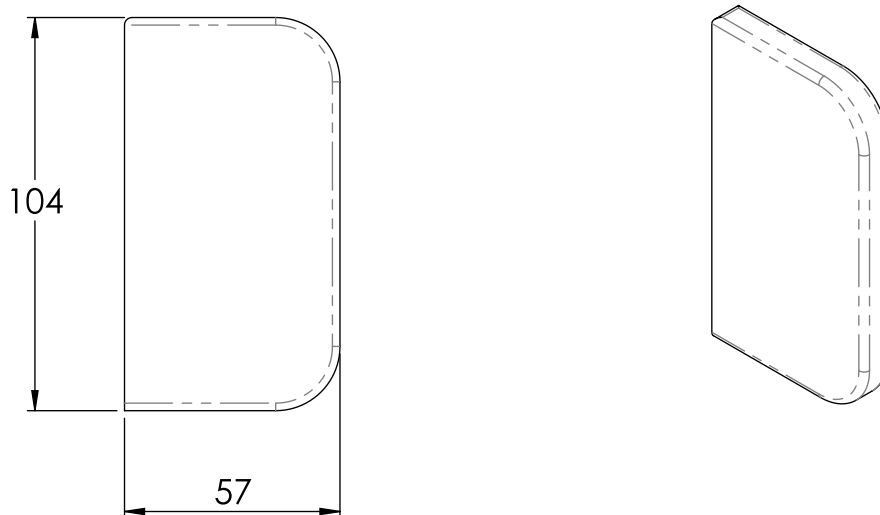
Technical Datasheet No: 0054

Kee Gate®

SLAM PLATE COVER

Part No: SGSD002PL

Short Part No: SGSD002PL



APPLICATION

Slam plate rubber cover allows silent gate closing.

COMPONENT SPECIFICATION

Material	Molded Plastisol 701
Finish	Natural
Weight	0.02

Issue Date: 20/07/2017

Issue No: 1

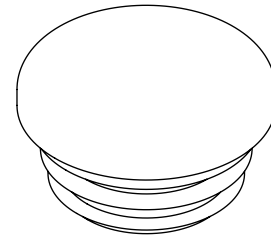
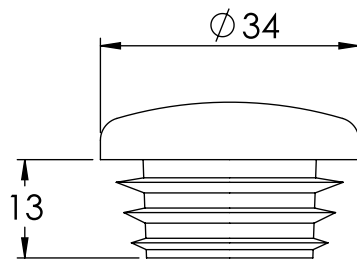
Technical Datasheet No: 0055

77-6 PLASTIC PLUG

Part No: 007760040

Short Part No: 77-6

Kee Gate®



APPLICATION

This component is fitted to the end of the US single gate to prevent water ingress.

COMPONENT SPECIFICATION

Material	HDPE
Finish	Natural
Weight	0.007kg

Issue Date: 20/07/2017

Issue No: 1